

MINKA-LAVERY®

MIL

.....

Volume 34

MINKA-LAVERY®

Graphic Design: Minka Group® Graphics
Product Originals: Minka Group®
Product specifications subject to
change at any time.
Catalog - MLCAT2022-05
Printed in U.S.A.
© 1993-2022 Minka Lighting, Inc.

The products depicted in this catalog are protected by United States
Federal and/or State Law, including Patent, Trademark and/or Copyright
Laws.

Catalog design and all elements of catalog design are protected by United
States Federal and/or State Law, including Patent, Trademark and/or
Copyright Laws.

■ Table of Contents



1730 Series.....	234-237
Agilis™	238-241
Ainsley Court	204-207
Aston Court	263
Astrapia	164-167
Audrey's Point	246-247
Aureum.....	186-187
Baldwin Park	58-59
Beckonridge	60-63
Birnamwood.....	110-111
Brentwood Shore.....	36-39
Bridlewood.....	104-109
Calavera™	258-259
Camden Square	200-203
Cape Coral	48
Chassel	184-185
Chelsea.....	16-17
Clarity	173
Clarté.....	116-117
Cole's Crossing	70-71
Colonial Charm.....	150-151
Country Estates.....	102-103
Covent Park.....	152-153
Criterion.....	192-193
Eden Valley	88-89
Elyton	228-233
Emmerham	76-77
First Avenue	64-67
Gateway Park	20-21
Gilded Glam	182-183
Harbour Point.....	118-129
Highland Crossing	68-69
Illuminati™	260-262
Isabella's Crown.....	170-171
Isabella's Reign	168-169
Keeley Calle.....	188-191
Langen Square	50-53
Laurel Estate	154-161
Majestic Splendour	28-29
Middletown	256-257

Minka Lavery Collection	302-333
Mirrors	304-307
Mini Chandeliers	308
Pendants.....	309-311
Mini Pendants	312
Wall Sconces	313-321
Semi Flush Mounts	322-323
Flush Mounts	324-333
Montauk Bay	40-41
Morrow	194-197
Overland Park.....	220-227
Palmetto	44-47
Paradox™.....	242-245
Parsons Studio	208-219
Pillar	198-199
Poleis.....	174-177
Ponderosa Ridge	148-149
Pullman Junction	72-75
Rawson Ridge.....	98-101
Regal Terrace.....	140-145
Ricochet	22-25
Savannah Row	248-251
Shadowglen	252-255
Sheer Elegance.....	42-43
Silver Creek.....	146-147
Spyglass Terrace	18-19
Studio 5	130-139
Tilbury	178-181
Titan's Trace	78-81
Tyson's Gate.....	112-115
Upham Estates	26-27
Vanity Mirrors	264-267
Vanity	268-301
Vernon Place	54-57
Via Roma	172
Vortic Flow	82-87
West Liberty.....	162-163
Westboro Boulevard	49
Westchester County	90-97
Windward Passage	30-35
Yorkville	14-15



IN THE ABSENCE OF LIGHT THERE IS NO COLOR...

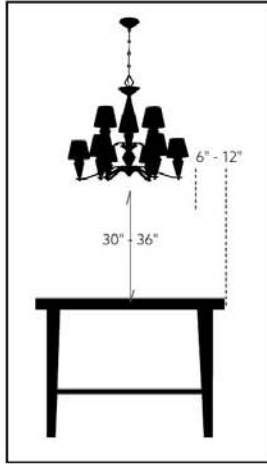
Decorating a home involves many factors, and the most overlooked is light. The statement, "In the absence of light there is no color", represents an opportunity to ensure that all of the efforts to decorate the home are presented properly through lighting. Chandeliers are the most recognizable element and create a dramatic mood for the home. Chandeliers are widely used in areas of the home that previously had not been considered.

Chandeliers represent style, warmth and the most important source of light in any setting. The eye is automatically drawn towards light, which means a chandelier will truly stand out. We recommend that a statement of style in conjunction with your décor be made with a chandelier.

.....

**Make a bold
statement in
a master suite
with a beautiful
chandelier.**

.....



When hanging your chandelier in your dining room allow 30 to 36 inches from the bottom of fixture to top of your table. Your fixture should be three quarters the width of your table. Also allow 6 to 12 inches from the edge of the fixture to the edge of your table.

.....

Replace a table lamp with a Mini Chandelier anywhere.

.....

The Minka Group® has created a myriad of styles, sizes and shapes of chandelier to suit any décor and room setting. Mini chandeliers have become the fastest growing trend in the lighting industry. Popular locations for mini chandeliers are bedrooms, bathrooms, hallways with higher ceilings and kitchens. You can create a luxurious look reminiscent of the finest European castles. Kitchens can be dressed up and still be functional when placing chandeliers over islands and peninsulas. A grouping of chandeliers in a hallway with high ceilings creates a dramatic effect.

.....

Mini Chandeliers have become the fastest growing trend in the lighting industry.

.....

The entry is where the world comes to your door. The Minka Group® has provided a tremendous variety of styles, sizes and finishes that allow you to create a design statement.

Family Overview.....



Yorkville
Pages 14-15



Chelsea
Pages 16-17



Spyglass Terrace
Pages 18-19



Gateway Park
Pages 20-21



Ricochet
Pages 22-25



Upham Estates
Pages 26-27



Majestic Splendour
Pages 28-29



Windward Passage
Page 30-35



Brentwood Shore
Pages 36-39



Montauck Bay
Page 40-41



Sheer Elegance
Pages 42-43



Palmetto
Page 44-47



Cape Coral
Page 48



Westboro Boulevard
Pages 49



Langen Square
Page 50-53



Vernon Place
Pages 54-57



Baldwin Park
Pages 58-59



Beckonridge
Pages 60-63

Family Overview



First Avenue
Pages 64-67



Highland Crossing
Pages 68-69



Cole's Crossing
Pages 70-71



Pullman Junction
Pages 72-75



Emmerham
Pages 76-77



Titan's Trace
Pages 78-81



Vortic Flow
Pages 82-87



Eden Valley
Pages 88-89



Westchester County
Pages 90-97



Rawson Ridge
Page 98-101



Country Estates
Page 102-103



Bridlewood
Page 104-109



Birnamwood
Page 110-111



Tyson's Gate
Pages 112-115



Clarté
Pages 116-117



Harbour Point
Page 118-129



Studio 5
Pages 130-139



Regal Terrace
Pages 140-145

Family Overview.....



Silver Creek
Pages 146-147



Ponderosa Ridge
Pages 148-149



Colonial Charm
Pages 150-151



Covent Park
Pages 152-153



Laurel Estate
Pages 154-161



West Liberty
Pages 162-163



Astrapia
Pages 164-167



Isabella's Reign
Pages 168-169



Isabella's Crown
Pages 170-171



Via Roma
Page 172



Clarity
Page 173



Poleis
Pages 174-177



Tilbury
Pages 178-181



Gilded Glam
Page 182-183



Chassell
Page 184-185



Aureum
Page 186-187



Keeley Calle
Pages 188-191



Criterium
Pages 192-193

Family Overview.....



Morrow
Pages 194-197



Pillar
Pages 198-199



Camden Square
Pages 200-203



Ainsley Court
Page 204-207



Parsons Studio
Page 208-219



Overland Park
Pages 220-227



Elyton
Page 228-233



1730 Series
Pages 234-237



Agilis™
Pages 238-241



Paradox™
Pages 242-245



Audrey's Point
Pages 246-247



Savannah Row
Pages 248-251



Shadowglen
Pages 252-255



Middletown
Pages 256-257



Calavera™
Pages 258-259



Illuminati™
Pages 260-262



Aston Court
Page 263



Vanity Mirrors
Pages 264-267



Vanity
Pages 268-301



Minka Lavery Collection
Pages 302-333

Yorkville

Inspired by celebrity interior designer Robin Baron's signature "Looped" hardware, the Yorkville collection features a subtle touch of detail with its unique hand painted combination of finishes. The luminaires feature open, timeless shapes with classic style. Robin's designs capture the crisp transitional simplicity of today's décor.



2694-115

Pendant
Aged Darkwood Finish with Silver Patina
18" dia. x 33"h
4 Light, 60W Cand. Base

Robin
ROBIN BARON DESIGN



2696-115

Pendant
Aged Darkwood Finish with Silver Patina
24"dia. x 13"h
6 Light, 60W Cand. Base



2692-115

Wall Sconce
Aged Darkwood Finish with Silver Patina
7¾"w x 14¼"h x 4"ext.
2 Light, 60W Cand. Base
Etched White Glass
ADA Compliant



2698-115

Island Light
Aged Darkwood Finish with Silver Patina
42"l x 13"w x 21½"h
8 Light, 60W Cand. Base

Chelsea

The Chelsea collection features elegant Soft Brass fixtures with Onyx Leather Straps. The White Silk Shades add to a graceful style which coordinate perfectly with the clean looks seen in homes today. Acclaimed interior designer, Robin Baron, captures a transitional yet modern aesthetic with this collection.



CANOPY DETAIL

2788-695

Chandelier
Soft Brass Finish
with Onyx Leather Straps
40"dia. x 28"h
8 Light, 60W Cand. Base
White Silk Shade



Robin
ROBIN BARON DESIGN



2783-695

Chandelier
Soft Brass Finish
with Onyx Leather Straps
22"dia. x 18"h
3 Light, 60W Cand. Base
White Silk Shade



2784-695

Chandelier
Soft Brass Finish
with Onyx Leather Straps
20"dia. x 15½"h
4 Light, 100W Medium Base
White Silk Shade



2785-695

Chandelier
Soft Brass Finish
with Onyx Leather Straps
30"dia. x 26"h
5 Light, 60W Cand. Base
White Silk Shade

■ Spyglass Terrace

Glistening Soft Brass cylinders with a warm inner glow pay tribute to mid-century modern design with timeless lines and sophistication.



CANOPY DETAIL

2535-695

Pendant
Soft Brass Finish
26" dia. x 17" h
5 Light, 60W Medium Base





2532-695

Mini Pendant
Soft Brass Finish
10" w x 15" h x 5" ext.
2 Light, 60W Medium Base



2533-695

Pendant
Soft Brass Finish
14" dia. x 21" h
3 Light, 60W Medium Base



2531-695

Mini Pendant
Soft Brass Finish
10" dia. x 15" h
1 Light, 60W Medium Base

Gateway Park

Create transitional intrigue with clean lines of an airy domed cage surrounding an interior fabric shade for a layered sculptural look.



CANOPY DETAIL

2154-695

Pendant
Soft Brass Finish
14" dia. x 23½" h
4 Light, 60W Cand. Base
Oatmeal Linen Shade



2154-66A

Light Pendant
Coal Finish
14" dia. x 23½" h
4 Light, 60W Cand. Base
Oatmeal Linen Shade

CONVERTIBLE to SEMI FLUSH



2155-695

Pendant (Convertible)
Soft Brass Finish
20"dia. x 15"h
5 Light, 60W Cand. Base
Oatmeal Linen Shade



CONVERTIBLE to SEMI FLUSH



2155-66A

Pendant (Convertible)
Coal Finish
20"dia. x 15"h
5 Light, 60W Cand. Base
Oatmeal Linen Shade

Ricochet

Tapered and suspended rectangular White Silk Glass panels and metal back shields expertly direct and diffuse a luminous radiance of light in a stunning interpretation of midcentury and modern lighting design.



CANOPY DETAIL

2678-695

Chandelier
Soft Brass Finish
40" dia. x 17½" h
8 Light, 60W Cand. Base
White Silk Glass





2675-695

Pendant
Soft Brass Finish
24" dia. x 8¾" h
5 Light, 60W Cand. Base
White Silk Glass



Ricochet



CANOPY DETAIL



CANOPY DETAIL

2676-695

Chandelier
Soft Brass Finish
32" dia. x 11" h
6 Light, 60W Cand. Base
White Silk Glass





2671-695

Wall Sconce
Soft Brass Finish
5" w x 11½" h x 5¼" ext.
1 Light, 60W Cand. Base
White Silk Glass



2679-695

Island Light
Soft Brass Finish
44" l x 24" w x 11¼" h
8 Light, 60W Cand. Base
White Silk Glass



Upham Estates

An attractive, geometric Coal Finish frame and Polished Nickel candle sleeves add elegance to a white linen shade with indented squared corners for an elegant, mid-century modern look.



2957-572

Pendant
Coal and Polished Nickel Finish
28"sq. x 13"h
8 Light, 60W Cand. Base
White Linen Shade



2959-572

Island Light
Coal and Polished Nickel Finish
40"l x 13"w x 11¾"h
10 Light, 60W Cand. Base
White Linen Shade

CONVERTIBLE to SEMI FLUSH



2958-572

Pendant
Coal and Polished Nickel Finish
20"sq. x 11¾"h
8 Light, 60W Cand. Base
White Linen Shade



2954-572

Pendant (Convertible)
Coal and Polished Nickel Finish
14"sq. x 9¾"h
4 Light, 60W Cand. Base
White Linen Shade



2951-572

Wall Torchiere
Coal and Polished Nickel Finish
12"w x 26"h x 4"ext.
2 Light, 60W Cand. Base
White Linen Shade
ADA Compliant



2952-572

Wall Sconce
Coal and Polished Nickel Finish
9¾"w x 9¾"h x 4"ext.
2 Light, 60W Cand. Base
White Linen Shade
ADA Compliant

Majestic Splendor

Add some timeless elegance to any space with Majestic Splendor. This stunning family features crystal clear prisms that glimmer against a Sand Coal and Polished Nickel Finish.



CANOPY DETAIL

5497-729

Pendant
Polished Nickel and Sand Coal Finish
19"dia. x 22"h
4 Light, 60W Cand. Base
Clear Acrylic





5495-729

Pendant
Polished Nickel and Sand Coal Finish
25½" dia. x 9"h
6 Light, 60W Cand. Base
Clear Acrylic



5496-729

Pendant
Polished Nickel and Sand Coal Finish
23" dia. x 14½"h
6 Light, 60W Cand. Base
Clear Acrylic



5490-729

Mini Pendant
Polished Nickel and Sand Coal Finish
11" dia. x 12"h
3 Light, 60W Cand. Base
Clear Acrylic



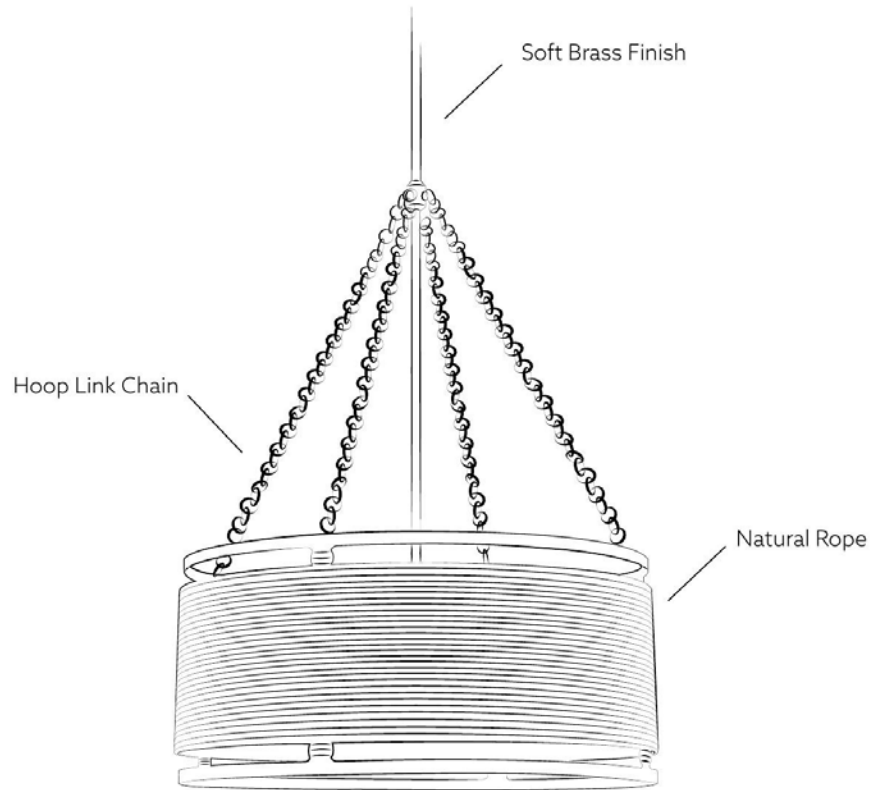
5498-729

Wall Sconce
Polished Nickel and Sand Coal Finish
10½" w x 12" h x 5½" ext.
2 Light, 60W Cand. Base
Clear Acrylic



MINKA-LAVERY

Windward Passage



.....

Natural rope coiled around a Soft Brass or Coal and Soft Brass frame creates the perfect blend of texture and artistry in the Windward Passage collection.

Windward Passage



CANOPY DETAIL



3866-695

Pendant
Soft Brass Finish
with Natural Rope
26½" dia. x 34"h
6 Light, 60W Cand. Base



3864-695

Pendant
Soft Brass Finish
with Natural Rope
14½" dia. x 33"h
4 Light, 60W Cand. Base



CANOPY DETAIL



3868-695

Island Light
Soft Brass Finish
with Natural Rope
40½" l x 10½" w x 18" h
8 Light, 60W Cand. Base



3869-695

Semi Flush
Soft Brass Finish
with Natural Rope
20½" dia. x 14¼" h
4 Light, 60W Cand. Base



3865-695

Chandelier
Soft Brass Finish
with Natural Rope
26¾" dia. x 4¾" h
5 Light, 60W Cand. Base



CANOPY DETAIL



3860-695

Island Light
Soft Brass Finish
with Natural Rope
44" l x 13½" w x 12" h
8 Light, 60W Cand. Base

Windward Passage



CANOPY DETAIL



3866-726

Pendant
Soft Brass and Coal Finish
with Natural Rope
26½" dia. x 34"h
6 Light, 60W Cand. Base



3864-726

Pendant
Soft Brass and Coal Finish
with Natural Rope
14½" dia. x 33"h
4 Light, 60W Cand. Base



CANOPY DETAIL



3868-726

Island Light
Soft Brass and Coal Finish
with Natural Rope
40½" l x 10½" w x 18" h
8 Light, 60W Cand. Base



3869-726

Semi Flush
Soft Brass and Coal Finish
with Natural Rope
20½"dia. x 14¼"h
4 Light, 60W Cand. Base



3865-726

Chandelier
Soft Brass and Coal Finish
with Natural Rope
26¾"dia. x 4¾"h
5 Light, 60W Cand. Base



CANOPY DETAIL



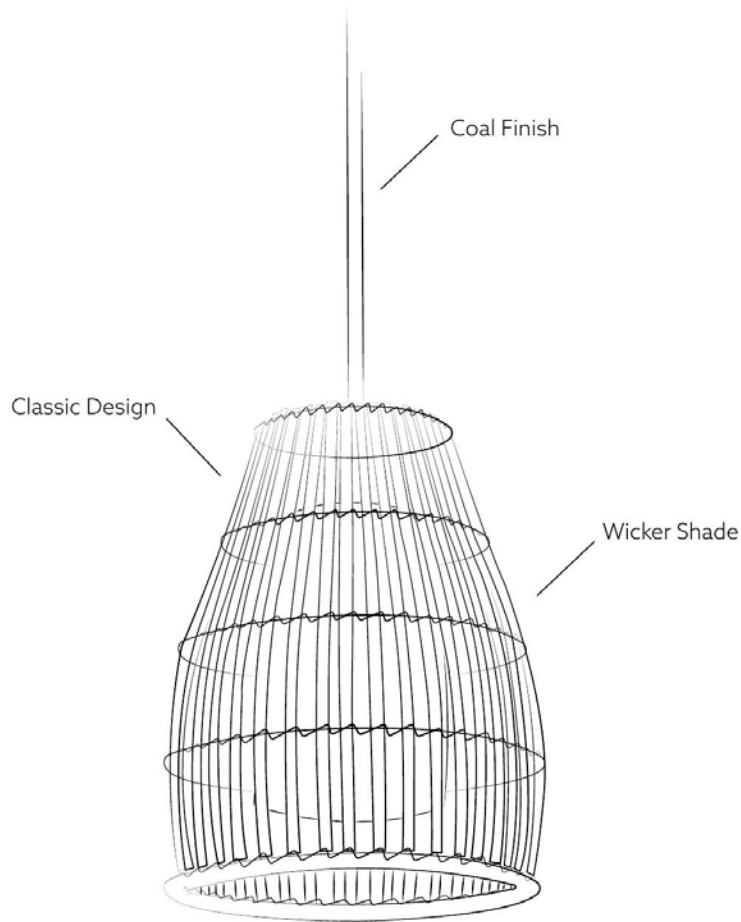
3860-726

Island Light
Soft Brass and Coal Finish
with Natural Rope
44"l x 13½"w x 12"h
8 Light, 60W Cand. Base



MINKA-LAVERY

Brentwood Shore



.....

Dark bamboo slats form into classic pendant silhouettes and combine with a Coal Finish for a look to compliment many design concepts.

Brentwood Shore



CANOPY DETAIL

2161-66A

Pendant
Coal Finish
16" dia x 18 1/4" h
1 Light, 60W Medium Base
Bamboo Shade
Etched Opal Glass



2163-66A

Pendant
Coal Finish
12" dia x 14 1/4" h
1 Light, 60W Medium Base
Bamboo Shade
Etched Opal Glass



2164-66A

Pendant
Coal Finish
16" dia x 8" h
4 Light, 60W Cand. Base
Bamboo Shade



2165-66A

Pendant
Coal Finish
20" dia x 8" h
5 Light, 60W Cand. Base
Bamboo Shade

Montauck Bay

Traditional Wicker material in a modern layered shade compliments today's trends. An elevated level of craftsmanship is evident in the multi-tiered, two-tone finish shades.



CANOPY DETAIL



1075-84

Pendant
Brushed Nickel Finish
26"dia. x 13¾"h
5 Light, 60W Cand. Base
Weathered Grey & Natural Wicker Shade



1073-84

Foyer
 Brushed Nickel Finish
 14" dia. x 20" h
 4 Light, 60W Cand. Base
 Weathered Grey & Natural Wicker Shade



1071-84

Mini Pendant
 Brushed Nickel Finish
 10" dia. x 26" h
 1 Light, 60W Medium Base
 Weathered Grey & Natural Wicker Shade



1074-84

Pendant (Convertible)
 Brushed Nickel Finish
 20" dia. x 15½" h
 4 Light, 60W Cand. Base
 Weathered Grey & Natural Wicker Shade

CONVERTIBLE to SEMI FLUSH



Sheer Elegance

The jewelry of the estate. The Sheer Elegance is styled with a Gold Organza shade and a Coal Finish. The feminine, rich, and tasteful design combined with studded pearl accents is sure to dazzle



2866-66A

Pendant
Coal Finish
26½"dia. x 21½"h
6 Light, 60W Cand. Base
Gold Organza Shade





CONVERTIBLE to SEMI FLUSH



2864-66A

Pendant (Convertible)
Coal Finish
21 1/4" dia. x 14" h
4 Light, 60W Cand. Base
Gold Organza Shade



2863-66A

Pendant
Coal Finish
12 3/4" dia. x 17 3/4" h
4 Light, 60W Cand. Base
Gold Organza Shade



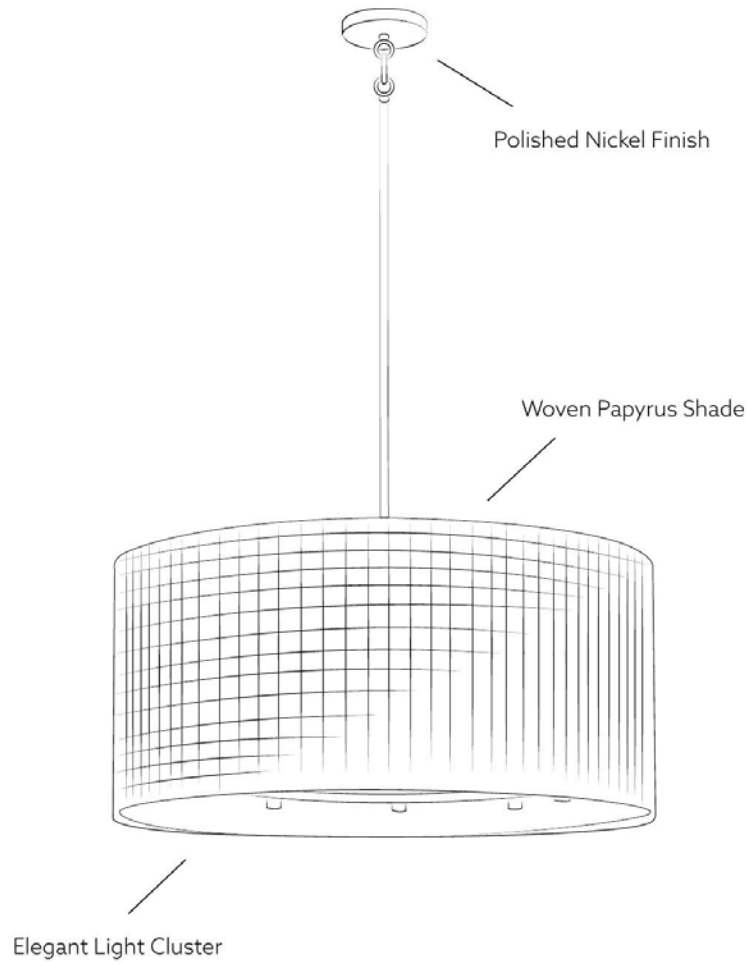
2869-66A

Island Light
Coal Finish
48" l x 13 3/4" w x 17 1/2" h
10 Light, 60W Cand. Base
Gold Organza Shade



MINKA-LAVERY®

P Palmetto



.....

A clean, Woven Papyrus Shade over a beautiful Polished Nickel light cluster is the perfect statement of class.

Palmetto



CHAIN & ROD INCLUDED



3928-613

Pendant
Polished Nickel Finish
30" dia. x 14" h
8 Light, 60W Cand. Base
Woven Papyrus Shade



3926-613

Pendant
Polished Nickel Finish
24½"dia. x 12"h
6 Light, 60W Cand. Base
Woven Papyrus Shade



3925-613

Pendant
Polished Nickel Finish
18"dia. x 10"h
5 Light, 60W Cand. Base
Woven Papyrus Shade



3924-613

Pendant
Polished Nickel Finish
14½"dia. x 21"h
4 Light, 60W Cand. Base
Woven Papyrus Shade



3921-613

Mini Pendant
Polished Nickel Finish
6¾"dia. x 11"h
1 Light, 60W Med. Base
Woven Papyrus Shade



Cape Coral

Clear acrylic rings and Polished Nickel accents add décor and scale to white fabric shades to make the versatile look of the Cape Coral family.



CANOPY DETAIL



2151-613

Pendant
Polished Nickel Finish
24" dia. x 19½" h
4 Light, 60W Med. Base
White Fabric Shade



2152-613

Pendant
Polished Nickel Finish
30" dia. x 23¼" h
5 Light, 60W Med. Base
White Fabric Shade

Westboro Boulevard

Black linen shades suspended by Chrome and Weathered Antique Brass arms add a unique transitional touch to any room.



CANOPY DETAIL

2153-77

Pendant
Chrome Finish
20" w x 9" h
3 Light, 100W E26
Black Linen Shade
Etched Glass Diffuser



2153-724

Pendant
Weathered Antique Brass Finish
20" w x 9" h
3 Light, 100W E26
Black Linen Shade
Etched Glass Diffuser

Langen Square

Architectural meets antique for a versatile look. A simple, open design complemented by framed clear acrylic accents set the stage for the Antique Nickel finish to make a statement and highlight detail.



3856-756

Chandelier
Antique Nickel Finish
24"sq. x 9¾"h
6 Light, 60W Cand. Base
Clear Acrylic



3858-756

Island Light
Antique Nickel Finish
40"l x 10"w x 22"h
8 Light, 60W Cand. Base
Clear Acrylic



3859-756

Semi Flush
Antique Nickel Finish
15"sq. x 14¾"h
4 Light, 60W Cand. Base
Clear Acrylic



3854-756

Pendant
Antique Nickel Finish
14"sq. x 14"h
4 Light, 60W Cand. Base
Clear Acrylic

Langen Square



3857-756

Pendant
Antique Nickel Finish
18"sq. x 39"h
8 Light, 60W Cand. Base
Clear Acrylic

3851-756

Wall Sconce
Antique Nickel Finish
5" w x 10" h x 5 3/4" ext.
1 Light, 60W Cand. Base
Clear Acrylic



3852-756

Wall Sconce
Antique Nickel Finish
7 1/2" w x 14" h x 5 3/4" ext.
2 Light, 60W Cand. Base
Clear Acrylic

Vernon Place

A modern design featuring precision cut glass shades over a robust Polished Nickel frame creates the sophisticated look of the Vernon Place collection.



3898-77

Chandelier
Chrome Finish
28½" dia. x 11"h
Clear Ribbed Glass



3895-77

Chandelier
Chrome Finish
20½" dia. x 11" h
6 Light, 60W Cand.
Clear Ribbed Glass

Vernon Place



3896-77

Island
Chrome Finish
42"l x 12³/₄"w x 23"h
6 Light, 60W Cand. Base
Clear Ribbed Glass



A



B



C



D

A. 5891-77

1 Light Bath
 Chrome Finish
 5" w x 14" h x 4 3/4" ext.
 1 Light, 60W Cand. Base
 Clear Ribbed Glass

B. 5892-77

2 Light Bath
 Chrome Finish
 11 1/2" w x 9 1/4" h x 4 3/4" ext.
 2 Light, 60W Cand. Base
 Clear Ribbed Glass

C. 5893-77

3 Light Bath
 Chrome Finish
 18" w x 9 1/4" h x 4 3/4" ext.
 3 Light, 60W Cand. Base
 Clear Ribbed Glass

D. 5894-77

4 Light Bath
 Chrome Finish
 24 1/2" w x 9 1/4" h x 4 3/4" ext.
 4 Light, 60W Cand. Base
 Clear Ribbed Glass

Baldwin Park

Industrial and sophisticated, masculine and chic. The Baldwin Park Family's robust nature teamed with Clear Ribbed Glass, Soft Brass, and Coal Finish are enduring.



Canopy Detail

2544-726

Chandelier
Coal and Soft Brass Finish
18" w x 11½" h x 14" ext.
4 Light, 60W Medium Base
Clear Ribbed Glass



2546-726

Chandelier
Coal and Soft Brass Finish
27" w x 11½" h x 30½" ext.
6 Light, 60W Medium Base
Clear Ribbed Glass





2541-726

1 Light Bath
Coal and Soft Brass Finish
4½" w x 11¾" h x 5½" ext.
1 Light, 60W Medium Base
Clear Ribbed Glass



2543-726

Mini Pendant
Coal and Soft Brass Finish
10" dia. x 21½" h
3 Light, 60W Medium Base
Clear Ribbed Glass



2542-726

2 Light Bath
Coal and Soft Brass Finish
11" w x 9" h x 6" ext.
2 Light, 60W Medium Base
Clear Ribbed Glass

Beckonridge

Light up a transitional dining space or home bar with this vintage inspired design featuring our Brushed Nickel finish and Etched Opal Glass.



3996-84



Chandelier
Brushed Nickel Finish
32" dia. x 9 3/4" h
6 Light, 60W Med. Base
Etched Opal Glass



REVERSIBLE



3995-84

Chandelier
Brushed Nickel Finish
26" dia. x 9 1/2" h
5 Light, 60W Med. Base
Etched Opal Glass





3994-84



Chandelier
Brushed Nickel Finish
24" dia. x 9"h
4 Light, 60W Med. Base
Etched Opal Glass



3993-84



Chandelier
Brushed Nickel Finish
22" dia. x 8¾"h
3 Light, 60W Med. Base
Etched Opal Glass



3997-84

Semi Flush
Brushed Nickel Finish
17" dia. x 11½"h
3 Light, 60W Med. Base
Etched Opal Glass



Beckonridge

Light up a transitional dining space or home bar with this vintage inspired design featuring our Coal finish and Clear Glass.



3996-66A



Chandelier
Coal Finish
32" dia. x 9¾" h
6 Light, 60W Med. Base
Clear Glass



3995-66A

Chandelier
Coal Finish
26" dia. x 9½" h
5 Light, 60W Med. Base
Clear Glass





3994-66A



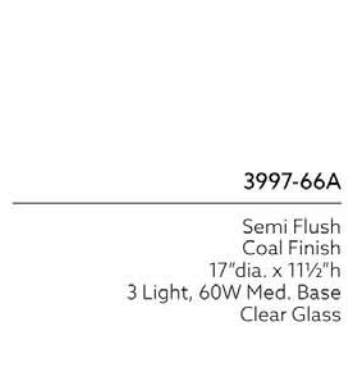
Chandelier
Coal Finish
24" dia. x 9"h
4 Light, 60W Med. Base
Clear Glass



3993-66A



Chandelier
Coal Finish
22" dia. x 8¾"h
3 Light, 60W Med. Base
Clear Glass



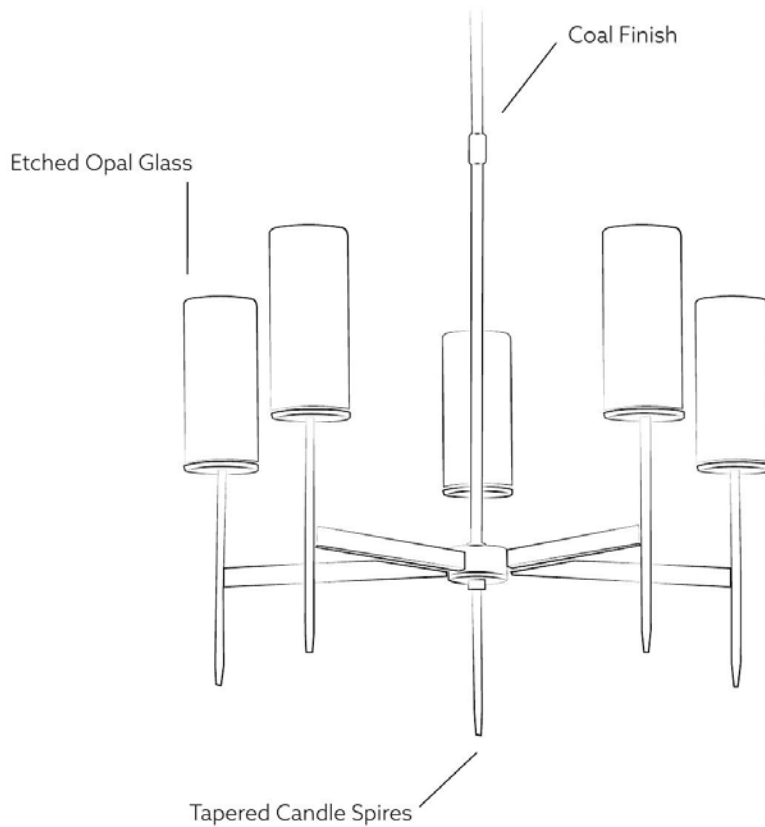
Semi Flush
Coal Finish
17" dia. x 11½"h
3 Light, 60W Med. Base
Clear Glass





MINKA-LAVERY

First Avenue



.....

Sleek transitional design with tapered candle arms and Etched Opal glass shades in our popular Coal finish is sure to impress.

First Avenue



3849-66A

Chandelier
Coal Finish
Etched White Glass
32" dia. x 28 1/4" h
9 Light, 60W Cand. Base



3845-66A

Chandelier
Coal Finish
Etched White Glass
26" dia. x 19 3/4" h
5 Light, 60W Cand. Base



3846-66A

Island Light
Coal Finish
Etched White Glass
40"l x 16¼"w x 19¾"h
6 Light, 60W Cand. Base



3843-66A

Semi Flush
Coal Finish
16"w x 12¾"h x 13"ext.
4 Light, 60W Cand. Base
Etched White Glass



3844-66A

Pendant
Coal Finish
15½"dia. x 22¼"h
4 Light, 60W Cand. Base

Highland Crossing

Crossing, cleverly angled Polished Nickel stems extend from a robust Coal frame and hold Clear cylindrical glass for a clean, transitional look.



CANOPY DETAIL

2495-572

Chandelier
Polished Nickel and Coal Finish
26 $\frac{3}{4}$ " dia. x 15"h
6 Light, 60W Cand. Base
Clear Glass



2494-572

Chandelier
Polished Nickel and Coal Finish
18"sq. x 15"h
4 Light, 60W Cand. Base
Clear Glass

2492-572

Wall Sconce
Polished Nickel and Coal Finish
9" w x 17½" h x 6¼" ext.
2 Light, 60W Cand. Base
Clear Glass



2496-572

Island Light
Polished Nickel and Coal Finish
42" l x 18" w x 15" h
8 Light, 60W Cand. Base
Clear Glass

Cole's Crossing

The contrast of the clean line Coal Finish frame and robust Brushed Nickel plates create a strong visual appeal.



MESH DETAIL



CANOPY DETAIL

1056-691

Chandelier
Coal with Brushed Nickel Finish
26" dia. x 18" h
6 Light, 60W Cand. Base
Clear Seeded Glass



CONVERTIBLE to SEMI FLUSH

1054-691

Chandelier (Convertible)
Coal with Brushed Nickel Finish
18" w x 11 3/4" h
4 Light, 60W Cand. Base
Clear Seeded Glass





1055-691

Island Light
 Coal with Brushed Nickel Finish
 40"l x 4"w 7½"h
 5 Light, 60W Cand. Base
 Clear Seeded Glass

CANOPY DETAIL



1059-691

Flush Mount
 Coal with Brushed Nickel Finish
 15"dia. x 5¼"h
 3 Light, 60W Med. Base
 Clear Seeded Glass



1051-691

Wall Sconce
 Coal with Brushed Nickel Finish
 5"w x 8¼"h x 5"ext.
 1 Light, 60W Cand. Base
 Clear Seeded Glass

Pullman Junction

A traditional pulley look adds decorative flair to the industrial Brushed Nickel stem and Sand Coal arms, while the clear glass and knurled socket sleeves add sophistication to the Pullman Junction family.



CANOPY DETAIL

2899-691

Two Tier Chandelier
Brushed Nickel and Coal Finish
30" dia. x 35" h
9 Light, 60W Cand. Base
Clear Glass



2895-691

Chandelier
Brushed Nickel and Coal Finish
28" dia. x 27½" h
5 Light, 60W Cand. Base
Clear Glass



2897-691

Pan Pendant
Brushed Nickel and Coal Finish
12½"dia. x 21½"h
3 Light, 60W Cand. Base
Clear Glass

2890-691
Mini Pendant
Brushed Nickel and Coal Finish
6½"dia. x 12½"h
1 Light, 60W Cand. Base
Clear Glass



2898-691

Chandelier
Brushed Nickel and Coal Finish
20"dia. x 24"h
3 Light, 60W Cand. Base
Clear Glass

Pullman Junction



2896-691

Island Light
Brushed Nickel and Coal Finish
40"l x 19½"w x 24"h
6 Light, 60W Cand. Base
Clear Glass



A



B



C



D

A. 2891-691

1 Light Bath
Brushed Nickel
and Coal Finish
5" w x 12 3/4" h x 5 1/4" ext.
1 Light, 60W Cand. Base
Clear Glass

B. 2892-691

2 Light Bath
Brushed Nickel
and Coal Finish
13" w x 12 3/4" h x 5 1/4" ext.
2 Light, 60W Cand. Base
Clear Glass

C. 2893-691

3 Light Bath
Brushed Nickel
and Coal Finish
21" w x 12 3/4" h x 5 1/4" ext.
3 Light, 60W Cand. Base
Clear Glass

D. 2894-691

4 Light Bath
Brushed Nickel
and Coal Finish
29" w x 12 3/4" h x 5 1/4" ext.
4 Light, 60W Cand. Base
Clear Glass

Emmerham

The fusion of industrial detailing and a touch of steampunk allure makes the modern Emmerham collection perfect for refined interior décor.



2186-695

Chandelier
Soft Brass Finish
32" dia. x 23³/₄" h
6 Light, 60W Cand. Base
Clear Glass



2187-695

Island Light
Soft Brass Finish
44"l x 23 $\frac{3}{4}$ "w x 14"h
6 Light, 60W Cand. Base
Clear Glass



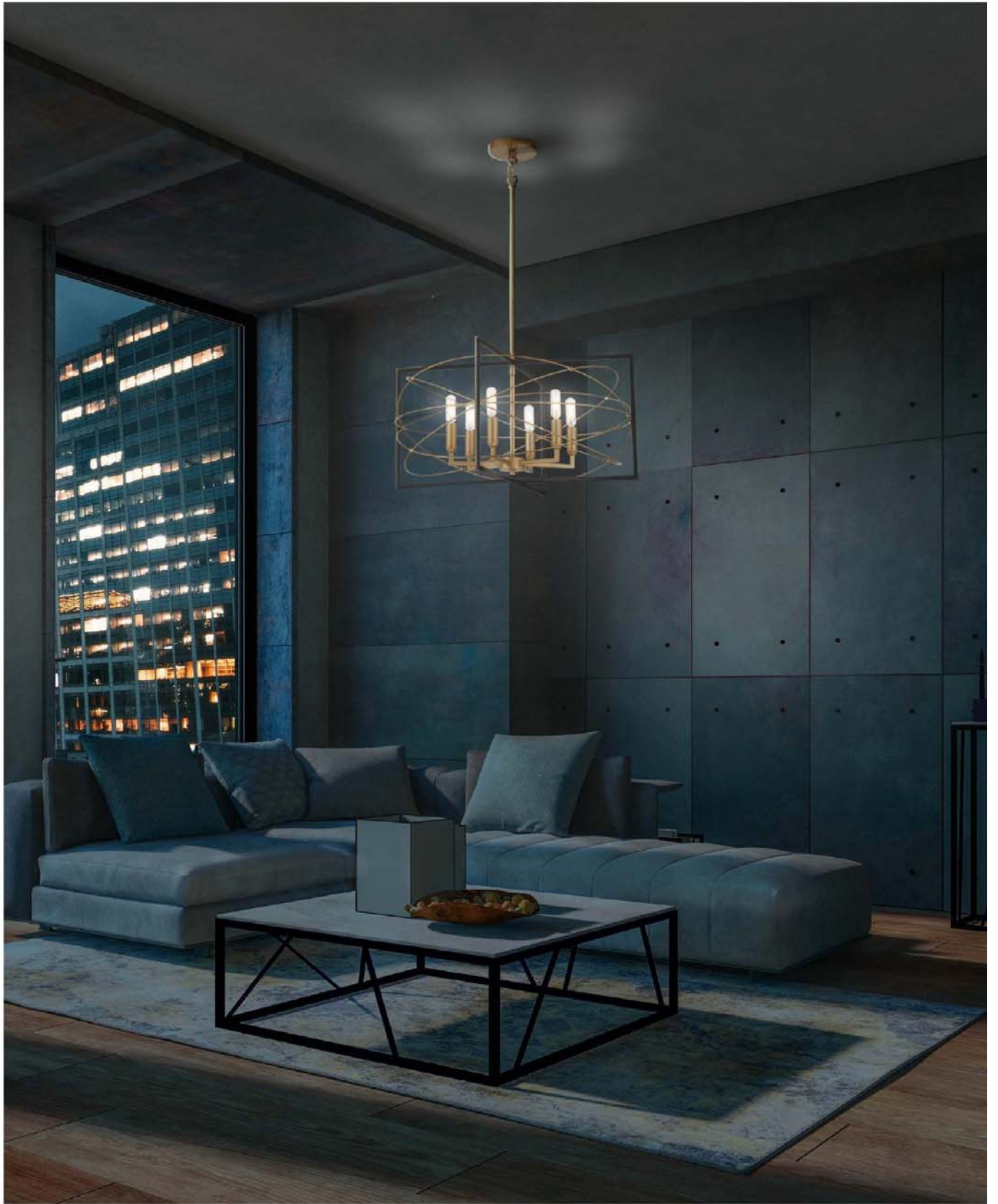
2182-695

Wall Sconce
Soft Brass Finish
20 $\frac{1}{4}$ "w x 5"h x 5"ext.
2 Light, 60W Cand. Base
Clear Glass



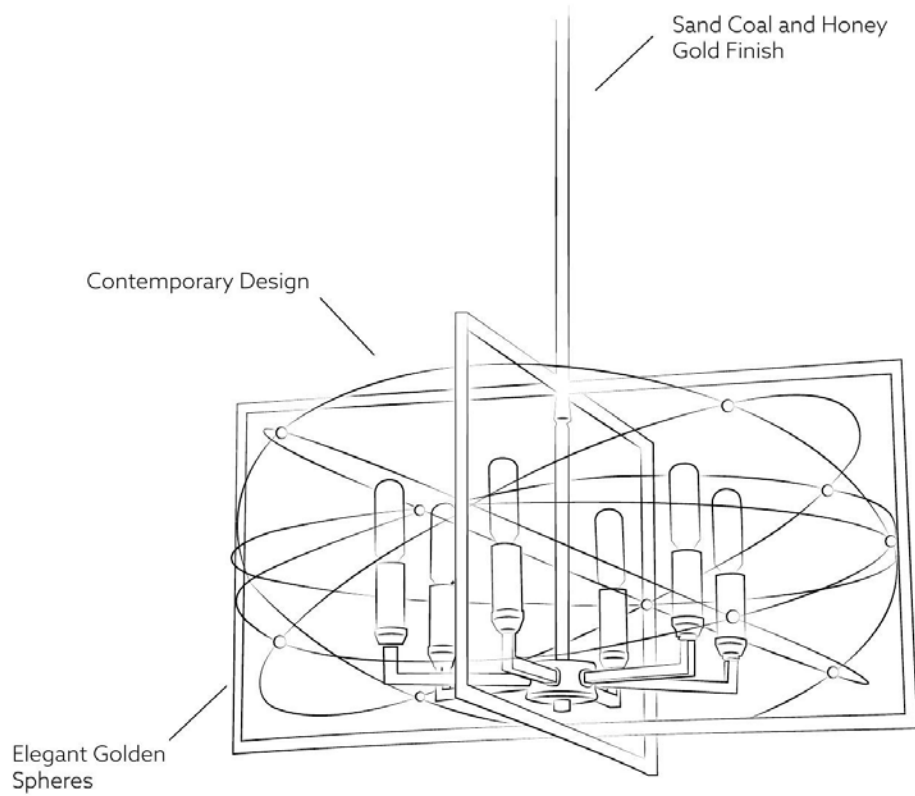
2185-695

Chandelier
Soft Brass Finish
26"dia. x 23 $\frac{3}{4}$ "h
5 Light, 60W Cand. Base
Clear Glass



MINKA-LAVERY

Titan's Trace



.....

The cosmos and allure of our solar system inspired this dynamic, contemporary pendant collection.

Titan's Trace



CANOPY DETAIL



CANOPY DETAIL



3916-707A

Chandelier
Sand Coal and
Honey Gold Finish
24"sq. x 12"h
6 Light, 60W Cand. Base



3914-707A

Pendant
Sand Coal and
Honey Gold Finish
19"sq. x 19"h
4 Light, 60W Cand. Base



3912-707A

Pendant
Sand Coal and
Honey Gold Finish
10"sq. x 10¼"h
2 Light, 60W Cand. Base



3917-707A

Island Light
Sand Coal and
Honey Gold Finish
42"l x 12¼"w x 13"h
6 Light, 60W Cand. Base

Vortic Flow

Concentric two-tone bands captivate and mesmerize, while abstract arrays of light cast gorgeous patterns inviting fashionable harmony.



4679-111

Chandelier
Dark Bronze Finish
with Mosaic Gold Interior
30"dia. x 27"h
18 Light, 60W Cand. Base

4672-111

Pendant
Dark Bronze Finish
with Mosaic Gold Interior
14" dia. x 24"h
6 Light, 60W Cand. Base



3679-111

Pendant
Dark Bronze Finish
with Mosaic Gold Interior
21" dia. x 30"h
10 Light, 60W Cand. Base

Vortic Flow

4677-111

Pendant
Dark Bronze Finish
with Mosaic Gold Interior
30" dia. x 11"h
8 Light, 60W Cand. Base



4673-111

Pendant
Dark Bronze Finish
with Mosaic Gold Interior
26" dia. x 10"h
6 Light, 60W Cand. Base



4678-111

Pendant
Dark Bronze Finish
with Mosaic Gold Interior
28" dia. x 11"h
8 Light, 60W Cand. Base



CONVERTIBLE to SEMI FLUSH



4675-111

Pendant (Convertible)
Dark Bronze Finish
with Mosaic Gold Interior
16" dia. x 9"h
5 Light, 60W Cand. Base

Vortic Flow

4676-111

Island Light
Dark Bronze Finish
with Mosaic Gold Interior
40"l x 15"w x 12"h
8 Light, 60W Cand. Base



CONVERTIBLE to PENDANT



4671-111

Semi Flush (Convertible)
Dark Bronze Finish
with Mosaic Gold Interior
20"dia. x 14"h
5 Light, 60W Cand. Base

4670-111

Mini Pendant
Dark Bronze Finish
with Mosaic Gold Interior
8½"dia. x 10"h
1 Light, 60W Med. Base



3673-111

Wall Sconce
Dark Bronze Finish
with Mosaic Gold Interior
7"w x 12"h x 4½"ext.
3 Light, 60W Cand. Base

Eden Valley

An elegant strap and ring design suspends the classic bell shaped clear glass; a Smoked Iron and Aged Gold finish adds just the right touch of color to the Eden Valley collection.



3905-107

Pendant (Convertible)
Smoked Iron and
Aged Gold Finish
22"dia. x 26"h
5 Light, 60W Cand. Base
Clear Glass

CONVERTIBLE to
SEMI FLUSH



28"



3904-107

Pendant (Convertible)
Smoked Iron and
Aged Gold Finish
17¾"dia. x 20¾"h
4 Light, 60W Cand. Base
Clear Glass

CONVERTIBLE to
SEMI FLUSH



3903-107

Pendant (Convertible)
Smoked Iron and
Aged Gold Finish
12½"dia. x 18¼"h
3 Light, 60W Cand. Base
Clear Glass

CONVERTIBLE to
SEMI FLUSH



Westchester County

Upscale finishes and delicately styled frames combined with classically styled detailing offer an unmatched value.



CANOPY DETAIL

1046-677

Chandelier
Sand Coal with
Skyline Gold Leaf Finish
40"dia. x 24"h
6 Light, 60W Cand. Base



1044-677

Chandelier
Sand Coal with
Skyline Gold Leaf Finish
34"dia. x 20¾"h
5 Light, 60W Cand. Base



1045-677

Chandelier
Sand Coal with
Skyline Gold Leaf Finish
28"dia. x 20"h
5 Light, 60W Cand. Base



1047-677

Chandelier
Sand Coal with
Skyline Gold Leaf Finish
25"dia. x 24"h
5 Light, 60W Cand. Base

1048-677

Chandelier
Sand Coal with
Skyline Gold Leaf
46"dia. x 30"h
8 Light, 60W Cand. Base



1049-677

Semi Flush
Sand Coal with
Skyline Gold Leaf Finish
15¾"w x 15"h
4 Light, 60W Cand. Base





1041-677

Wall Sconce
Sand Coal with
Skyline Gold Leaf Finish
5" w x 7½" h x 5¼" ext.
1 Light, 60W Cand. Base



1040-677

Flush Mount
Sand Coal with
Skyline Gold Leaf Finish
16½" dia. x 6¾" h
4 Light, 60W Cand. Base



1042-677

Wall Sconce
Sand Coal with
Skyline Gold Leaf Finish
10½" W x 32¾" h x 5¾" ext.
2 Light, 60W Cand. Base

Westchester County



CANOPY DETAIL

1046-701

Chandelier
Farmhouse White with
Gilded Gold Leaf Finish
40"dia. x 24"h
6 Light, 60W Cand. Base



1044-701

Chandelier
Farmhouse White with
Gilded Gold Leaf Finish
34"dia. x 20¾"h
5 Light, 60W Cand. Base



1045-701

Chandelier
Farmhouse White with
Gilded Gold Leaf Finish
28" dia. x 20"h
5 Light, 60W Cand. Base



1047-701

Chandelier
Farmhouse White with
Gilded Gold Leaf Finish
25" dia. x 24"h
5 Light, 60W Cand. Base

1049-701

Semi Flush
Farmhouse White with
Gilded Gold Leaf Finish
15 $\frac{3}{4}$ "w x 15"h
4-60W Cand. Base



1040-701

Flush Mount
Farmhouse White with
Gilded Gold Leaf Finish
16 $\frac{1}{2}$ "dia. x 6 $\frac{3}{4}$ "h
4 Light, 60W Cand. Base

1042-701

Wall Sconce
Farmhouse White with
Gilded Gold Leaf Finish
10½"W x 32¾"h x 5¾"ext.
2 Light, 60W Cand. Base



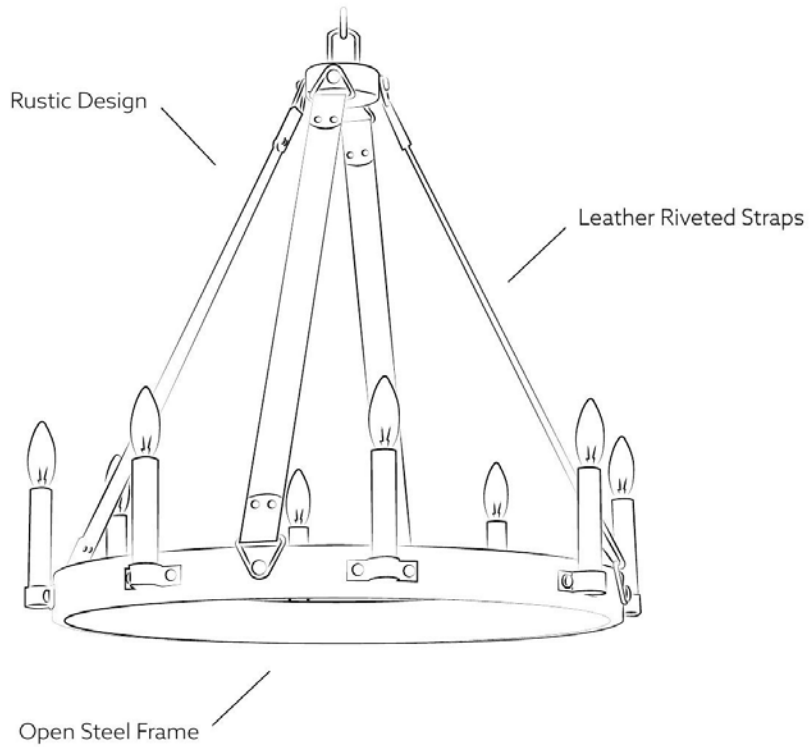
1041-701

Wall Sconce
Farmhouse White with
Gilded Gold Leaf Finish
5"w x 7½"h x 5¼"ext.
1 Light, 60W Cand. Base



MINKA-LAVERY®

Rawson Ridge



Rustic Design

Leather Riveted Straps

Open Steel Frame

.....

A rustic inspired open steel frame in Aged Silverwood finish, Coal candle sleeves, and sturdy leather riveted straps is well suited for an industrial or modern farmhouse environment.

Rawson Ridge



CANOPY DETAIL



3878-693

Chandelier
Aged Silverwood, Coal,
and Brushed Nickel Finish
28" dia. x 26" h
8 Light, 60W Cand. Base



3876-693

Chandelier
Aged Silverwood, Coal,
and Brushed Nickel Finish
24¼" dia. x 24½" h
6 Light, 60W Cand. Base



3879-693

Island Light
Aged Silverwood, Coal,
and Brushed Nickel Finish
37" l x 15" w x 28" h
8 Light, 60W Cand. Base



3871-693

Wall Sconce
Aged Silverwood, Coal,
and Brushed Nickel Finish
5" w x 10" h x 2½" ext.
1 Light, 60W Cand. Base



3872-693

Wall Sconce
Aged Silverwood, Coal,
and Brushed Nickel Finish
7½" w x 14" h x 3" ext.
2 Light, 60W Cand. Base

Country Estates

Rustic modern farmhouse style radiates from the earth-tone Sun Faded Wood finish. Classic, casual, sophisticated style making Country Estates the focal point of your home.



Canopy Detail

4015-280

Chandelier
Sun Faded Wood
with Pewter Accents
28" dia. x 16"h
6 Light, 60w Cand. Base
Clear Seeded Glass



Canopy Detail

4016-280

Island Light
Sun Faded Wood
with Pewter Accents
38¾" l x 15" w x 18" h
6 Light, 60w Cand. Base
Clear Seeded Glass





4012-280

Pendant
Sun Faded Wood with Pewter Accents
16 3/4"dia x 16 1/4"h
4 Light, 60w Cand. Base



4014-280

Pendant
Sun Faded Wood with Pewter Accents
14 1/2"sq. x 22"h
4 Light, 60w Cand. Base



4010-280

Mini-Pendant
Sun Faded Wood with Pewter Accents
6 1/2"sq. x 12 1/2"h
1 light, 60W Med.Base



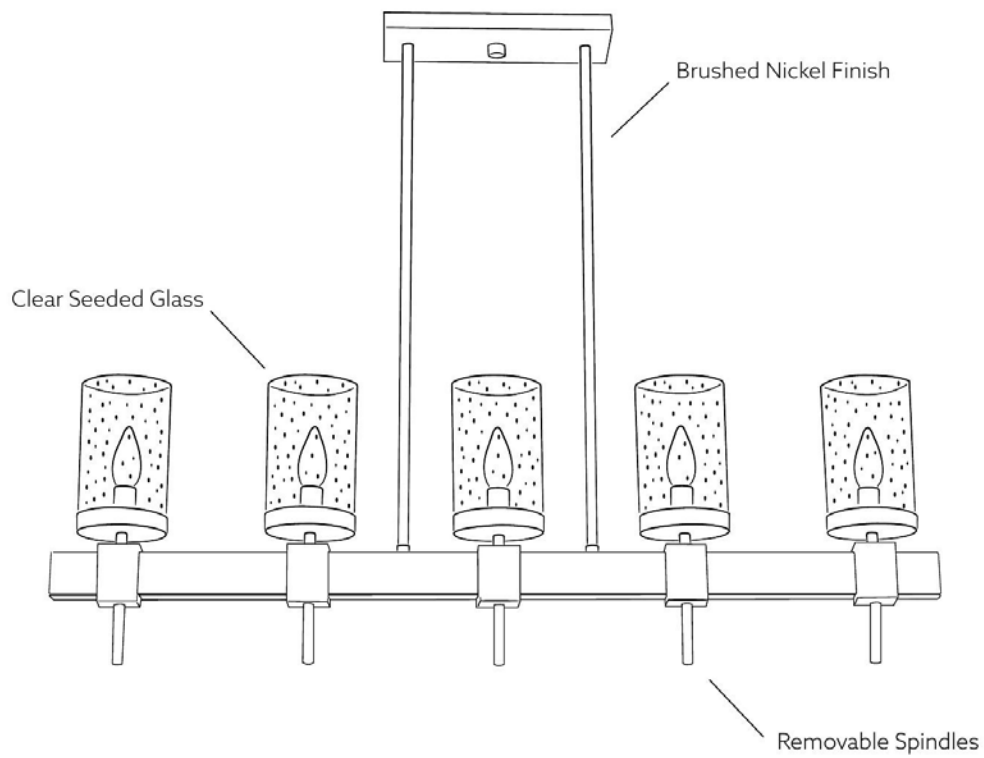
4013-280

Semi Flush
Sun Faded Wood with Pewter Accents
16 1/2"sq. x 14 1/2"h
4 Light, 60w Cand. Base



MINKA-LAVERY®

Bridlewood



.....

This contemporary twist on a country favorite will be the center piece of any home. The key to Bridlewood's winning design is its strong lines combined with intersecting bold geometric blocks.

Bridlewood



Canopy Detail



4641-106

Chandelier
Stone Grey with
Brushed Nickel Finish
34"dia. x 40"h
12 Light, 60W Cand. Base
Clear Seeded Glass



4638-106

Chandelier
Stone Grey with
Brushed Nickel Finish
32" dia. x 26¼" h
8 Light, 60W Cand. Base
Clear Seeded Glass



4639-106

Chandelier
Stone Grey with
Brushed Nickel Finish
32" dia. x 30" h
9 Light, 60W Cand. Base
Clear Seeded Glass



4636-106

Chandelier
Stone Grey with
Brushed Nickel Finish
28" dia. x 23" h
6 Light, 60W Cand. Base
Clear Seeded Glass



4637-106

Semi Flush
Stone Grey with
Brushed Nickel Finish
15¾" dia. x 13¾" h
4 Light, 60W Cand. Base
Clear Seeded Glass

Bridlewood



4635-106

Island Light
 Stone Grey with
 Brushed Nickel Finish
 40"l x 4½"w x 19"h
 5 Light, 60W Cand. Base
 Clear Seeded Glass



4630-106

Mini Pendant
 Stone Grey with
 Brushed Nickel Finish
 4"dia. x 9"h
 1 Light, 60W Cand. Base
 Clear Seeded Glass



4640-106

Pendant
 Stone Grey with
 Brushed Nickel Finish
 14½"dia. x 22"h
 4 Light, 60W Cand. Base
 Clear Seeded Glass



A. 4631-106

1 Light Bath
Stone Grey with
Brushed Nickel Finish
4½" w x 11¼" h x 5½" ext.
1 Light, 60W Cand. Base
Clear Seeded Glass

B. 4632-106

2 Light Bath
Stone Grey with
Brushed Nickel Finish
14" w x 8¾" h x 5½" ext.
2 Light, 60W Cand. Base
Clear Seeded Glass

C. 4633-106

3 Light Bath
Stone Grey with
Brushed Nickel Finish
22½" w x 8¾" h x 5½" ext.
3 Light, 60W Cand. Base
Clear Seeded Glass

D. 4634-106

4 Light Bath
Stone Grey with
Brushed Nickel Finish
31" w x 8¾" h x 5½" ext.
4 Light, 60W Cand. Base
Clear Seeded Glass

Birnamwood

The bold open design with painted Koa Wood finish blends perfectly with the plated pewter accents and chic clear glass shades.



1069-699

Chandelier
Koa Wood and
Pewter Finish
32½"dia. x 24"h
10 Light, 60W Cand. Base
Clear Glass

CONVERTIBLE to SEMI FLUSH



1066-699

Chandelier
Koa Wood and
Pewter Finish
28" dia. x 20"h
6 Light, 60W Cand. Base
Clear Glass



1064-699

Chandelier
Koa Wood and
Pewter Finish
20" dia. x 14 1/4"h
4 Light, 60W Cand. Base
Clear Glass



15 1/4"



CANOPY DETAIL



1067-699

Island Light
Koa Wood and
Pewter Finish
41"l x 18"w x 19 1/2"h
6 Light, 60W Cand. Base
Clear Glass

Tyson's Gate

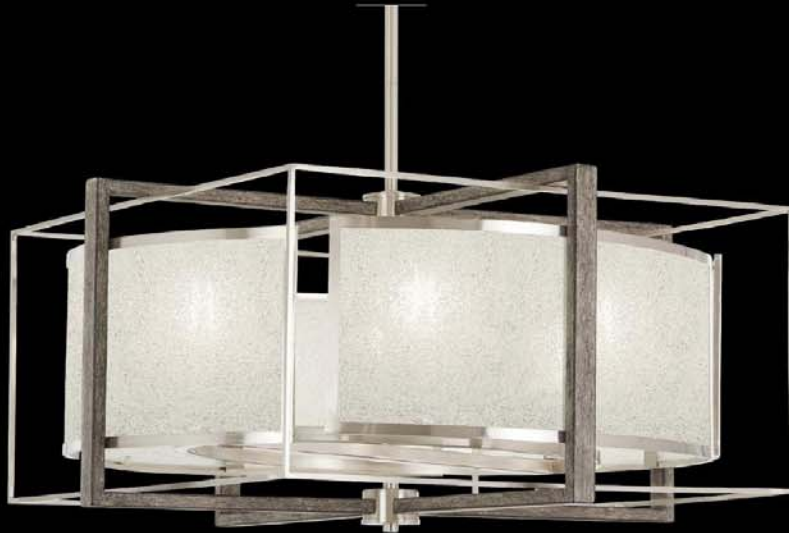
Modern glass and steel architectural structures influence Tyson's Gate. Visually clean, yet sophisticated for today's popular modern interior settings.



Canopy Detail

4567-098

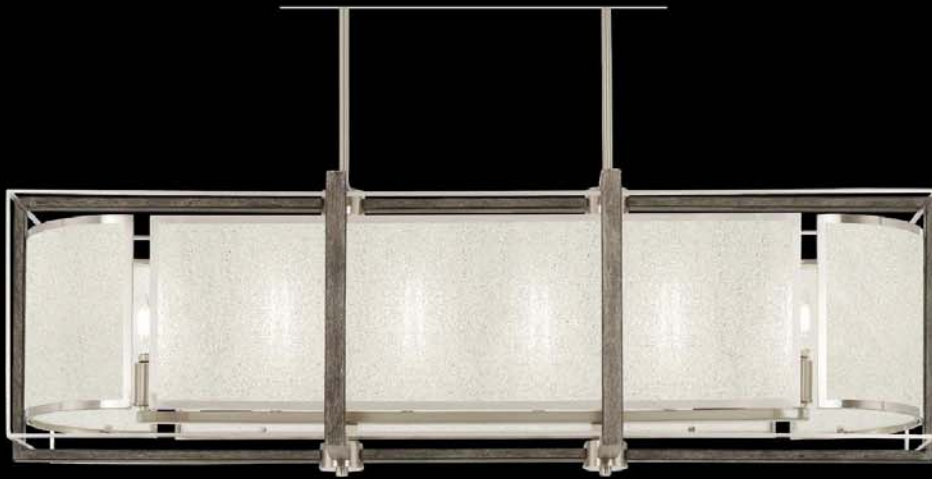
Pendant
Brushed Nickel Finish
with Shale Wood Accents
24"sq. x 12"h
6 Light, 60W Cand. Base
White Iris Glass



3568-098

Pendant
Brushed Nickel Finish
with Shale Wood Accents
30"sq. x 12"h
10 Light, 60W Cand. Base
White Iris Glass





4569-098

Island Light
 Brushed Nickel Finish
 with Shale Wood Accents
 42"l x 12"w x 13"h
 6 Light, 60W Cand. Base
 White Iris Glass



4560-098

Wall Sconce
 Brushed Nickel Finish
 with Shale Wood Accents
 9"w x 18"h x 5¼"ext.
 3 Light, 60W Cand. Base
 White Iris Glass



4561-098

Semi Flush (Convertible)
 Brushed Nickel Finish
 with Shale Wood Accents
 17"sq. x 14¾"h
 4 Light, 60W Cand. Base
 White Iris Glass

CONVERTIBLE to PENDANT



10"

Tyson's Gate

3569-098

Pendant
Brushed Nickel Finish
with Shale Wood Accents
20"sq. x 30"h
12 Light, 60W Cand. Base
White Iris Glass



4562-098

Pendant
Brushed Nickel Finish
with Shale Wood Accents
10"sq. x 18"h
4 Light, 60W Cand. Base
White Iris Glass



A



B



C



D



E

A. 3563-098

Wall Sconce
Brushed Nickel Finish
with Shale Wood Accents
7" w x 12" h x 4 3/4" ext.
3 Light, 60W Cand. Base
White Iris Glass

B. 3561-098

Wall Sconce
Brushed Nickel Finish
with Shale Wood Accents
5 1/2" w x 7" h x 4 3/4" ext.
1 Light, 60W Cand. Base
White Iris Glass

C. 4563-098

3 Light Bath
Brushed Nickel Finish
with Shale Wood Accents
16" w x 7" h x 4 3/4" ext.
3 Light, 60W Cand. Base
White Iris Glass

D. 4565-098

5 Light Bath
Brushed Nickel Finish
with Shale Wood Accents
24" w x 7" h x 4 3/4" ext.
5 Light, 60W Cand. Base
White Iris Glass

E. 4566-098

6 Light Bath
Brushed Nickel Finish
with Shale Wood Accents
32" w x 7" h x 4 3/4" ext.
6 Light, 60W Cand. Base
White Iris Glass

Clarté

Artists and craftsman sometimes have those special moments of clarity when an idea can be seen fully complete in the mind's eye. Clarté by Minka-Lavery® is such a vision. With bold silhouettes, White Iris glass and Chrome finish, this vision becomes reality in this striking transitional series.



Canopy Detail



4391-77

Mini Pendant
Chrome Finish
4¾"dia. x 13½"h
1 Light, 60W Med. Base
White Iris Glass



6390-77

Wall Sconce
Chrome Finish
9¼"w x 14½"h x 4"ext.
2 Light, 60W Cand. Base
White Iris Glass
ADA Compliant



4397-77

Semi Flush
Chrome Finish
17"dia. x 9¾"h
3 Light, 60W Med. Base
White Iris Glass



B



C



A



D

A. 4393-77

Wall Sconce
Chrome Finish
5" w x 21³/₄" h x 4" ext.
3 Light, 60W Cand. Base
White Iris Glass
ADA Compliant

B. 6392-77

2 Light Bath
Chrome Finish
17¹/₂" w x 5¹/₂" h x 5" ext.
2 Light, 75W G9 Xenon (Incl.)
White Iris Glass

C. 6393-77

3 Light Bath
Chrome Finish
26³/₄" w x 5¹/₂" h x 5" ext.
3 Light, 75W G9 Xenon (Incl.)
White Iris Glass

D. 6394-77

4 Light Bath
Chrome
36¹/₂" w x 5¹/₂" h x 5" ext.
4 Light, 75W G9 Xenon (Incl.)
White Iris Glass

Harbour Point

The clean, modern lines of Harbour Point are reflective of yesteryear's architecture. The combination of the Liberty Gold finish and the Etched White or Etched Opal Glass creates a striking appearance. This family is a great addition to the transitional home.



Canopy Detail



4173-249

Pendant
Liberty Gold Finish
19" dia. x 18½" h
3 Light, 100W Med. Base
Etched White Glass



4177-249

Semi Flush
Liberty Gold Finish
19"dia. x 9 $\frac{3}{4}$ "h
3 Light, 100W Med. Base
Etched White Glass Diffuser



4365-249

Flush Mount
Liberty Gold Finish
13 $\frac{1}{2}$ "dia. x 6 $\frac{1}{2}$ "h
2 Light, 60W Med. Base
Etched Opal Glass



4172-249

Semi Flush
Liberty Gold Finish
13 $\frac{1}{2}$ "dia. x 10 $\frac{3}{4}$ "h
2 Light, 60W Med. Base
Etched White Glass

Harbour Point



A



A. 5171-249

1 Light Bath
Liberty Gold Finish
4¾" w x 8" h x 6" ext.
1 Light, 100W Med. Base
Etched Opal Glass

B. 5172-249

2 Light Bath
Liberty Gold Finish
11¼" w x 7¼" h x 6" ext.
2 Light, 100W Med. Base
Etched Opal Glass

C. 5173-249

3 Light Bath
Liberty Gold Finish
19" w x 7¼" h x 6" ext.
3 Light, 100W Med. Base
Etched Opal Glass

Harbour Point



Canopy Detail



4173-84

Pendant
Brushed Nickel Finish
19"dia. x 18½"h
3 Light, 100W Med. Base
Etched White Glass



4177-84

Semi Flush
Brushed Nickel Finish
19"dia. x 9¾"h
3 Light, 100W Medium Base
Etched White Glass Diffuser



4365-84

Flush Mount
Brushed Nickel Finish
13½"dia. x 6½"h
2 Light, 60W Med. Base
Etched Opal Glass



4172-84

Semi Flush
Brushed Nickel Finish
13½"dia. x 10¾"h
2 Light, 60W Med. Base
Etched White Glass

Harbour Point



A



A. 5171-84

1 Light Bath
Brushed Nickel Finish
4¾" w x 8" h x 6" ext.
1 Light, 100W Med. Base
Etched Opal Glass

B. 5172-84

2 Light Bath
Brushed Nickel Finish
11¼" w x 7¼" h x 6" ext.
2 Light, 100W Med. Base
Etched Opal Glass

C. 5173-84

3 Light Bath
Brushed Nickel Finish
19" w x 7¼" h x 6" ext.
3 Light, 100W Med. Base
Etched Opal Glass

Harbour Point



Canopy Detail



4173-66A

Pendant
Coal Finish
19" dia. x 18½" h
3 Light, 100W Med. Base
Etched White Glass



4177-66A

Semi Flush
Coal Finish
19"dia. x 9¾"h
3 Light, 100W Medium Base
Etched White Glass Diffuser



4365-66A

Flush Mount
Coal Finish
13½"dia. x 6½"h
2 Light, 60W Med. Base
Etched Opal Glass



4172-66A

Semi Flush
Coal Finish
13½"dia. x 10¾"h
2 Light, 60W Med. Base
Etched White Glass

Harbour Point



A



B



C

A. 5171-66A

1 Light Bath
Coal Finish
Etched White Glass
4¾"W x 8"H x 6"Ext.
1/100W Medium Base

B. 5172-66A

2 Light Bath
Coal Finish
Etched White Glass
11¼"W x 7¼"H x 6"Ext.
2/100W Medium Base

C. 5173-66A

3 Light Bath
Coal Finish
Etched White Glass
19"W x 7¼"H x 6"Ext.
3/100W Medium Base

Studio 5

A lifestyle design consistent with urban trends. Glass shades set upon crystal deco orbs make this collection a true design solution for living.



Canopy Detail

3079-416

Chandelier
Painted Bronze with
Natural Brushed Brass Finish
32" dia. x 30½" h
9 Light, 60W Med. Base
Clear Glass with Removable
Inner Etched White Glass



3076-416

Island Light
Painted Bronze with
Natural Brushed Brass Finish
38" l x 14" w x 23½" h
6 Light, 60W Med. Base
Clear Glass with Removable
Inner Etched White Glass

3075-416

Chandelier
Painted Bronze with
Natural Brushed Brass Finish
25½"dia. x 22"h
5 Light, 60W Med. Base
Clear Glass with Removable
Inner Etched White Glass



3087-416

Chandelier
Painted Bronze with
Natural Brushed Brass Finish
45"dia. x 31"h
9 Light, 60W Med. Base
Clear Glass with Removable
Inner Etched White Glass

Studio 5



3074-416

Island Light
Painted Bronze with
Natural Brushed Brass Finish
38"l x 5"w x 18¾"h
4 Light, 60W Med. Base
Clear Glass with Removable Inner Etched White Glass



3070-416

Mini Pendant
Painted Bronze with
Natural Brushed Brass Finish
5"dia. x 12¼"h
1 Light, 60W Med. Base
Clear Glass



3089-416

Mini Pendant
Painted Bronze with
Natural Brushed Brass Finish
7"dia. x 14½"h
1 Light, 60W Med. Base
Clear Glass



3078-416

Flush Mount
Painted Bronze with
Natural Brushed Brass Finish
16"dia. x 7¾"h
3 Light, 60W Med. Base
Silver Translucent Linen Shade
with Inner Off-White Linen Shade



3077-416

Chandelier
Painted Bronze with
Natural Brushed Brass Finish
22"dia. x 19"h
3 Light, 60W Med. Base
Clear Glass with Removable Inner Etched White Glass

Studio 5



B



A



C



D

A. 3071-416

1 Light Bath
Painted Bronze with
Natural Brushed Brass Finish
6"w x 9¾"h x 6½"ext.
1 Light, 60W Med. Base
Clear Glass with Removable
Inner Etched White Glass

B. 3072-416

2 Light Bath
Painted Bronze with
Natural Brushed Brass Finish
15½"w x 9"h x 6¼"ext.
2 Light, 60W Med. Base
Clear Glass with Removable
Inner Etched White Glass

C. 3073-416

3 Light Bath
Painted Bronze with
Natural Brushed Brass Finish
24"w x 9"h x 6¾"ext.
3 Light, 60W Med. Base
Clear Glass with Removable
Inner Etched White Glass

D. 3080-416

4 Light Bath
Painted Bronze with
Natural Brushed Brass Finish
33"w x 9"h x 7¾"ext.
4 Light, 60W Med. Base
Clear Glass with Removable
Inner Etched White Glass



A



B



C



D



A. 3071-613

1 Light Bath
Polished Nickel Finish
6" w x 9 3/4" h x 6 1/2" ext.
1 Light, 60W Med. Base
Clear Glass

B. 3072-613

2 Light Bath
Polished Nickel Finish
15 1/2" w x 9" h x 6 1/4" ext.
2 Light, 60W Med. Base
Clear Glass

C. 3073-613

3 Light Bath
Polished Nickel Finish
24" w x 9" h x 6 3/4" ext.
3 Light, 60W Med. Base
Clear Glass

D. 3080-613

4 Light Bath
Polished Nickel Finish
33" w x 9" h x 7 3/4" ext.
4 Light, 60W Med. Base
Clear Glass

Studio 5



Canopy Detail

3079-613

Chandelier
Polished Nickel Finish
32" d x 30 1/2" h
9 Light, 60W Med. Base
Clear Glass



Canopy Detail

3076-613

Island Light
Polished Nickel Finish
38" l x 14" w x 23 1/2" h
6 Light, 60W Med. Base
Clear Glass

3075-613

Chandelier
Polished Nickel Finish
25½"dia. x 22"h
5 Light, 60W Med. Base
Clear Glass



3087-613

Chandelier
Polished Nickel Finish
45"dia. x 31"h
9 Light, 60W Med. Base
Clear Glass



3074-613

Island Light
Polished Nickel Finish
38"l x 5"w x 18¾"h
Clear Glass



Canopy Detail



3070-613

Mini Pendant
Polished Nickel Finish
5"dia. x 12¼"h
1 Light, 60W Med. Base
Clear Glass

3089-613

Mini Pendant
Polished Nickel Finish
7"dia. x 14½"h
1 Light, 60W Med. Base
Clear Glass



3078-613

Flush Mount
Polished Nickel Finish
16"d x 7¾"h
3 Light, 60W Med. Base
Silver Translucent Linen Shade
with Interior Off-White Linen Shade



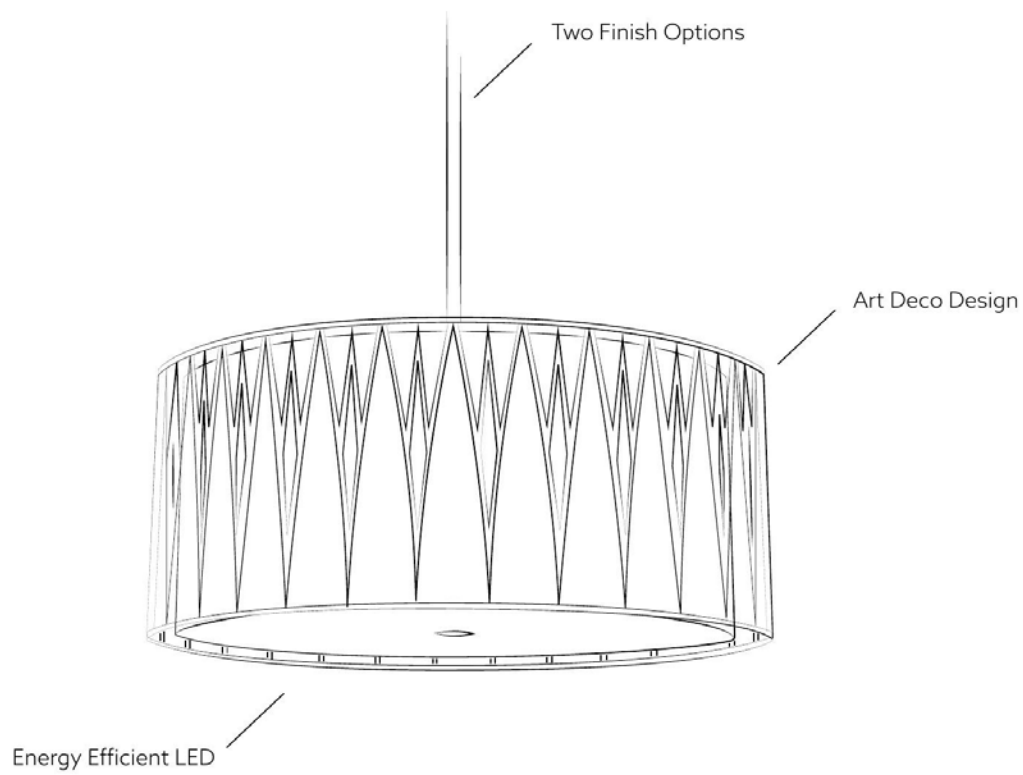
3077-613

Chandelier
Polished Nickel Finish
22"dia. x 19"h
3 Light, 60W Med. Base
Clear Glass



MINKA-LAVERY®

Regal Terrace



.....

Refined and modern art deco design
is ideal for a wide range of interior
applications.

Regal Terrace



CANOPY DETAIL



1084-695-L

LED Pendant
Soft Brushed Brass Finish
32" dia. x 27" h
78W LED 3780 Lumens
White Fabric with Frosted White Glass Diffuser



CANOPY DETAIL

1087-695-L

LED Island Light
Soft Brushed Brass Finish
42" l x 15 1/4" w x 24" h
78W LED 3467 Lumens
White Fabric with Frosted White Glass Diffuser



1081-695-L

LED Pendant
Soft Brushed Brass Finish
14¼"dia. x 32"h
30W LED 1606 Lumens
White Fabric with Frosted White Glass Diffuser



1089-695-L

LED Semi Flush
Soft Brushed Brass Finish
16¼"dia. x 13"h
30W LED 1522 Lumens
White Fabric with
Frosted White Glass Diffuser



1080-695

Wall Sconce
Soft Brushed Brass Finish
5"w x 29¼"h x 5½"ext.
1 Light, 60W Medium Base
Clear Glass

Regal Terrace



CANOPY DETAIL

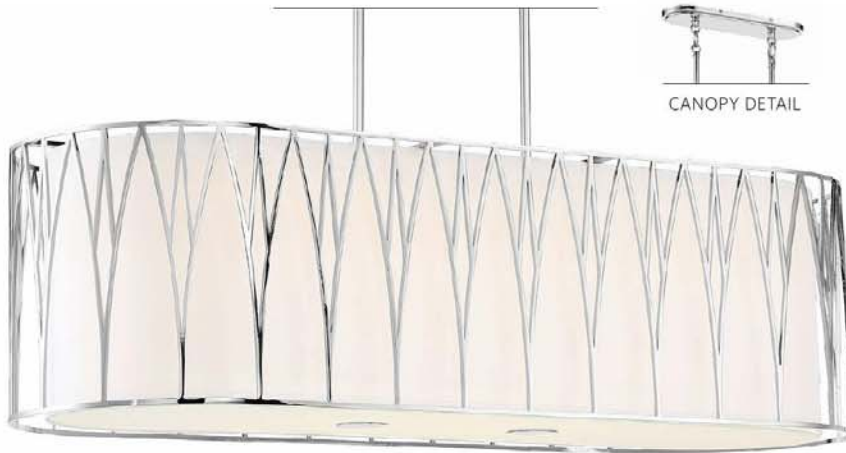


1084-613-L

LED Pendant
Polished Nickel Finish
32" dia. x 27"h
78W **LED** 3780 Lumens
White Fabric with
Etched Glass Diffuser



CANOPY DETAIL



1087-613-L

LED Island Light
Polished Nickel Finish
42" l x 15 1/4" w x 24" h
78W **LED** 3467 Lumens
White Fabric with
Frosted White Glass Diffuser



1081-613-L

LED Pendant
Polished Nickel Finish
14 $\frac{1}{4}$ "dia. x 32"h
30W **LED** 1606 Lumens
White Fabric with
Frosted White Glass Diffuser



1089-613-L

LED Semi Flush
Polished Nickel Finish
16 $\frac{1}{4}$ "dia. x 13"h
30W **LED** 1522 Lumens
White Fabric with
Frosted White Glass Diffuser



1080-613

Wall Sconce
Polished Nickel Finish
5"w x 29 $\frac{1}{4}$ "h x 5 $\frac{1}{2}$ "ext.
1 Light, 60W Medium Base
Clear Glass

Silver Creek

Silver Creek is an indoor and outdoor collection featuring Clear Seeded Glass. A beautiful faux wood finish with Brushed Nickel, Coal and Natural Rope elements coordinate for this modern rustic series.

**All Fixtures are
Wet Location Rated**



2765-733

Chandelier
Stone Grey, Coal, and
Brushed Nickel Finish
24" dia. x 22" h
4 Light, 60W Medium Base
Natural Rope
Clear Seeded Glass



**OUTDOOR
- LIVING -**



CONVERTIBLE to SEMI FLUSH

2764-733

Pendant (Convertible)
Stone Grey, Coal, and
Brushed Nickel Finish
20" Dia. x 13"H
4 Light, 60W Medium Base
Natural Rope
Clear Seeded Glass



2768-733

Island Light
Stone Grey, Coal, and
Brushed Nickel Finish
38½"l x 12½"w x 11¼"h
8 Light, 60W Medium Base
Natural Rope
Clear Seeded Glass

Ponderosa Ridge

Ponderosa Ridge is an indoor and outdoor collection featuring combination double glass. The die cast pine cones and needles in a Weathered Spruce Finish and Silver Highlights are complementary to today's lodge décor.

**All Fixtures are
Wet Location Rated**



Canopy Detail



2754-694

Chandelier
Weathered Spruce Finish
with Silver Highlights
22" dia. x 20¾" h
4 Light, 60W Medium Base
White and Clear Glass



2756-694

Chandelier
Weathered Spruce Finish
with Silver Highlights
28" dia. x 25" h
6 Light, 60W Medium Base
White and Clear Glass

**OUTDOOR
- LIVING -**



2759-694

Flush Mount
Weathered Spruce Finish
with Silver Highlights
15" dia. x 6 1/4" h
2 Light, 60W Medium Base
Clear Glass



2753-694

Semi Flush
Weathered Spruce Finish
with Silver Highlights
15" dia. x 10 1/4" h
2 Light, 60W Medium Base
Clear Glass



2751-694

Wall Sconce
Weathered Spruce Finish
with Silver Highlights
5" w x 18 1/4" h x 9 1/4" ext.
1 Light, 60W Medium Base
White and Clear Glass

Colonial Charm

Featuring Old World Bronze, spherical Walnut Accents, and dangling wooden charms, this distinctive look is sure to bring a touch of elegance and fascination.



Canopy Detail

2669-723

Chandelier
Old World Bronze Finish
with Walnut Accents
33¼"dia. x 40"h
9 Light, 60W Cand. Base



2663-723

Chandelier
Old World Bronze Finish
with Walnut Accents
18¾" dia. x 21½"H
3 Light, 60W Cand. Base



2665-723

Chandelier
Old World Bronze Finish
with Walnut Accents
28" dia. x 31¼" h
5 Light, 60W Cand. Base

Covent Park

Graceful lines exude an aura of traditional elegance, ideal for simple traditionally inspired interior décor.



CANOPY DETAIL

1099-740

Pendant
Brushed Honey Gold Finish
34" w x 39" h
9 Light, 60W Cand. Base



1096-740

Pendant
Brushed Honey Gold Finish
28" dia. x 32" h
6 Light, 60W Cand. Base





1094-740

Semi Flush
Brushed Honey Gold Finish
16" dia. x 14½"h
4 Light, 60W Cand. Base



1092-740

Wall Sconce
Brushed Honey Gold Finish
9"w x 27½"h x 5¼"ext.
2 Light, 60W Med. Base



1097-740

Island Light
Brushed Honey Gold Finish
40"w x 32"h
6 Light, 60W Cand. Base

Laurel Estate

The Brio Gold finish on the Laurel Estates family provides the great energy and confidence that every homeowner is trying to attain. A combination of open crystal with the delicate Brio Gold finish fits perfectly in every home.



4449-582

Chandelier
Brio Gold Finish
31½" dia. x 37½" h
9 Light, 60W Cand. Base

4446-582

Chandelier
Brio Gold Finish
26¾" dia. x 31¾" h
6 Light, 60W Cand. Base



4444-582

Mini Chandelier
Brio Gold Finish
18" dia. x 22" h
4 Light, 60W Cand. Base

Laurel Estate



Canopy Detail



CONVERTIBLE to SEMI FLUSH

4443-582

Pendant (Convertible)
Brio Gold Finish
20"dia. x 19 1/4"h
4 Light, 60W Cand. Base
Silver Translucent Fabric Shade
Clear Crystal



CONVERTIBLE to SEMI FLUSH

4447-582

Pendant (Convertible)
Brio Gold Finish
14 1/4"sq. x 19 1/4"h
4 Light, 60W Cand. Base
Clear Crystal



CONVERTIBLE to SEMI FLUSH

4448-582

Pendant (Convertible)
 Brio Gold Finish
 17"sq. x 30"h
 4 Light, 60W Cand. Base
 Clear Crystal



CONVERTIBLE to SEMI FLUSH

4445-582

Pendant (Convertible)
 Brio Gold Finish
 10"sq. x 15"h
 4 Light, 60W Cand. Base



Laurel Estate



Canopy Detail



4449-66A

Chandelier
Coal Finish
31½"dia. x 37½"h
9 Light, 60W Cand. Base
Clear Crystal





4444-66A

Chandelier
Coal Finish
18" dia. x 22" h
4 Light, 60W Cand. Base
Clear Crystal



4446-66A

Chandelier
Coal Finish
26 3/4" dia. x 31 3/4" h
6 Light, 60W Cand. Base
Clear Crystal

Laurel Estate



Canopy Detail



17½"

CONVERTIBLE to SEMI FLUSH

4443-66A

Pendant (Convertible)
Coal Finish
20"dia. x 19¼"h
4 Light, 60W Cand. Base
Silver Translucent Fabric Shade
Clear Crystal



18¼"

CONVERTIBLE to SEMI FLUSH

4447-66A

Pendant (Convertible)
Coal Finish
14¼"sq. x 19¼"h
4 Light, 60W Cand. Base
Clear Crystal



CONVERTIBLE to SEMI FLUSH

4448-66A

Pendant (Convertible)
Coal Finish
17"sq. x 30"h
4 Light, 60W Cand. Base
Clear Crystal



CONVERTIBLE to SEMI FLUSH

4445-66A

Pendant (Convertible)
Coal Finish
10"sq. x 15"h
4 Light, 60W Cand. Base

West Liberty

West Liberty promises to be the crown jewel of any room. Hand painted in a gorgeous mottled Olympus Gold finish. A unique open frame draws attention to the beautiful crystals while maintaining an air of simplicity.

4406-581

Chandelier
Olympus Gold Finish
24" dia. x 21½" h
6 Light, 60W Cand. Base



4404-581

Chandelier
Olympus Gold Finish
20½" dia. x 21" h
5 Light, 60W Cand. Base



CONVERTIBLE to PENDANT



4403-581

Semi Flush (Convertible)
Olympus Gold Finish
16" dia. x 15¾" h
4 Light, 60W Cand. Base



18½"



4405-581

Pendant
Olympus Gold Finish
18¼" dia. x 30½" h
5 Light, 60W Cand. Base



4407-581

Island Light
Olympus Gold Finish
36" l x 15¾" w x 23½" h
6 Light, 60W Cand. Base

Astrapia

A beautiful double frame in a hand painted Dark Rubbed Sienna finish complemented with Aged Silver, the Astrapia series adds a refined twist to transitional lighting.



4349-593

Pendant
Dark Rubbed Sienna Finish
with Aged Silver Highlights
22 $\frac{3}{4}$ "sq. x 41"h
8 Light, 60W Cand. Base

4344-593

Pendant
Dark Rubbed Sienna Finish
with Aged Silver Highlights
18"sq. x 30¼"h
4 Light, 60W Cand. Base



4343-593

Pendant
Dark Rubbed Sienna Finish
with Aged Silver Highlights
13"sq. x 23"h
4 Light, 60W Cand. Base

Astrapia

4348-593

Pendant
Dark Rubbed Sienna Finish
with Aged Silver Highlights
20"sq. x 23½"h
6 Light, 60W Cand. Base



4347-593

Semi Flush
Dark Rubbed Sienna Finish
with Aged Silver Highlights
16"sq. x 15¾"h
4 Light, 60W Cand. Base



4346-593

Island Light
Dark Rubbed Sienna Finish
with Aged Silver Highlights
36"l x 11¼"w x 26½"h
6 Light, 60W Cand. Base



4341-593

Mini Pendant
Dark Rubbed Sienna Finish
with Aged Silver Highlights
7¾"l x 7¾"w x 14¼"h
1 Light, 100W Med. Base



4342-593

Wall Sconce
Dark Rubbed Sienna Finish
with Aged Silver Highlights
7"w x 22"h x 4½"ext.
2 Light, 60W Cand. Base

Isabella's Reign

Clear droplets molded into glass panels suspend from Polished Nickel frames to create the elegant layered look of Isabella's Reign.



Canopy Detail

2488-613

Pendant
Polished Nickel Finish
22" dia x 25 1/2" h
8 Light, 60W Med. Base
Clear Textured Glass



2486-613

Pendant
Polished Nickel Finish
16 1/4" dia x 18 1/4" h
6 Light, 60W Med. Base
Clear Textured Glass



2481-613

Pendant
Polished Nickel Finish
10½" dia x 13¼" h
1 Light, 60W Med. Base
Clear Textured Glass



2483-613

Wall Sconce
Polished Nickel Finish
10" w x 11¾" h x 6½" ext.
1 Light, 60W Med. Base
Clear Textured Glass

Isabella's Crown

Natural beauty and elegance capture the styling of this transitional crystal collection. Isabella's Crown with faceted cut crystals and draping, will surely add sparkle and charm to your home.



Canopy Detail

3158-77

Chandelier
Chrome Finish
26" dia. x 30½" h
8 Light, 60W Cand. Base



3157-77

Chandelier
Chrome Finish
22" dia. x 24¼" h
6 Light, 60W Cand. Base



CONVERTIBLE to SEMI FLUSH

3150-77

Mini Chandelier (Convertible)
 Chrome Finish
 14" Dia. x 17"H
 3 Light, 60W Cand. Base



21½"



CONVERTIBLE to SEMI FLUSH

3156-77

Mini Chandelier (Convertible)
 Chrome Finish
 18" Dia. x 20¾"H
 4 Light, 60W Cand. Base



24½"



3155-77

Mini Pendant
 Chrome Finish
 9¾" dia. x 12¾" h
 1 Light, 60W Med. Base

Via Roma

A layer of clear crystal baguettes encompass a Polished Nickel frame for a brilliant lighting effect. Via Roma has a beautiful cylindrical design style that will look lovely over a circular dining table or in an entryway.



CANOPY DETAIL



2294-613

Pendant
Polished Nickel Finish
16" dia. x 11¾" h
3 Light, 60W Med. Base
Clear Crystal Accents



2293-613

Mini Pendant
Polished Nickel Finish
7¼" dia. x 8" h
1 Light, 60W Med. Base
Clear Crystal Accents

Clarity

Clarity features a clean and simple design. With great size disparity and candid accents, Clarity will add subtle charm to any space.



2337-66A

Pendant
Coal Finish
8¾"dia. x 9¾"h
1 Light, 60W Med. Base
Clear Glass



2338-66A

Pendant
Coal Finish
6¾"dia. x 12¼"h
1 Light, 60W Med. Base
Clear Glass



CANOPY DETAIL



2335-66A

Pendant
Coal Finish
10"dia. x 10¾"h
1 Light, 60W Med. Base
Clear Glass



2336-66A

Pendant
Coal Finish
13"dia. x 13¾"h
1 Light, 60W Med. Base
Clear Glass

Poleis

A gorgeous combination of clean lines and a hand Brushed Nickel finish accentuates a new angle-faceted glass, creating an amazing industrial look for your home.



Canopy Detail

3305-84

Chandelier
Brushed Nickel Finish
26½" dia. x 26½" h
5 Light, 60W Med. Base
Clear Glass



Canopy Detail

3306-84

Island Light
Brushed Nickel Finish
39" l x 4½" w x 28½" h
5 Light, 60W Med. Base
Clear Glass

3304-84

Chandelier
Brushed Nickel Finish
21"dia. x 23¾"h
4 Light, 60W Med. Base
Clear Glass



3301-84

Mini Pendant
Brushed Nickel Finish
3¾"dia. x 9¼"h
1 Light, 60W Med. Base
Clear Glass



Canopy Detail

3308-84

Pendant
Brushed Nickel Finish
20" dia. x 20" h
3 Light, 60W Med. Base
White Linen Shade
Etched White Glass Diffuser



3307-84

Semi Flush
Brushed Nickel Finish
16½" dia. x 12½" h
3 Light, 60W Med. Base
White Linen Shade
Etched White Glass Diffuser



A. 2301-84

1 Light Bath
Brushed Nickel Finish
5½" w x 16¼" h x 6" ext.
1 Light, 60W Med. Base
Clear Glass



B. 2302-84

2 Light Bath
Brushed Nickel Finish
16" w x 9" h x 7" ext.
2 Light, 60W Med. Base
Clear Glass



C. 2303-84

3 Light Bath
Brushed Nickel Finish
24" w x 9" h x 7" ext.
3 Light, 60W Med. Base
Clear Glass



D. 2304-84

4 Light Bath
Brushed Nickel Finish
32" w x 9" h x 7" ext.
4 Light, 60W Med. Base
Clear Glass

Tilbury

Our Tilbury collection defines uniqueness with a sleek, clean design in a Polished Nickel finish. This is Minka-Lavery's contemporary version of an "Orb" design.

4989-613

Chandelier
Polished Nickel Finish
30¼" dia. x 33½" h
9 Light, 60W Cand. Base



4986-613

Chandelier
Polished Nickel Finish
24" dia. x 24¼" h
6 Light, 60W Cand. Base

4982-613

Pendant
Polished Nickel Finish
16½"dia. x 17"h
3 Light, 60W Cand. Base



4983-613

Semi Flush
Polished Nickel Finish
14"dia. x 13¾"h
3 Light, 60W Cand. Base



4984-613

Pendant
Polished Nickel Finish
19" dia. x 20½" h
4 Light, 60W Cand. Base



A. 3981-613

1 Light Bath
Polished Nickel Finish
5" w x 10¼" h x 6" ext.
1 Light, 100W Med. Base
Etched Opal Glass

B. 3982-613

2 Light Bath
Polished Nickel Finish
14" w x 7¾" h x 6" ext.
2 Light, 100W Med. Base
Etched Opal Glass

C. 3983-613

3 Light Bath
Polished Nickel Finish
24¼" w x 7¾" h x 6" ext.
3 Light, 100W Med. Base
Etched Opal Glass

D. 3984-613

4 Light Bath
Polished Nickel Finish
33¼" w x 7¾" h x 6" ext.
4 Light, 100W Med. Base
Etched Opal Glass

Gilded Glam

The intricate laser-cut cages emanate an exotic appearance of old-world traditional styling thoughtfully updated for today's decorating trends.



2405-680

Pendant
Sand Coal with Painted
and Plated Honey Gold Finish
20"dia. x 23¾"h
5 Light, 60W Cand. Base

2404-680

Pendant
Sand Coal with Painted
and Plated Honey Gold Finish
16" dia. x 20 1/4" h
4 Light, 60W Cand. Base



2403-680

Pendant
Sand Coal with Painted
and Plated Honey Gold Finish
12" dia. x 16 1/4" h
3 Light, 60W Cand. Base

Chassell

Transitional glam ideal for today's refined home. Slender honey gold rings reflecting against the polished nickel frame create a sophisticated aura.



Canopy Detail

4028-679

Chandelier
Painted Honey Gold
with Polished Nickel Finish
31½"dia. x 28½"h
8 Light, 60W Cand. Base



CONVERTIBLE to PENDANT



4025-679

Semi-Flush (Convertible)
Painted Honey Gold
with Polished Nickel Finish
18¼"dia. x 13½"h
5 Light, 60W Cand. Base



4026-679

Chandelier
Painted Honey Gold
with Polished Nickel Finish
24¾"dia. x 22½"h
6 Light, 60W Cand. Base



4020-679-L

LED Wall Sconce
Painted Honey Gold
with Polished Nickel Finish
12 ¾"w x 18 ½"h x 3 ¾"ext
20W LED
3000K 1170 Lumens
White Cloth Shade
ADA Compliant

Aureum

Paying homage to mid-century modern styling, the vibrant two-tone finish is bright and sophisticated.



1217-706

Island Light
Honey Gold with Flat White Finish
40"l x 19"w x 28"h
6 Light, 60W Cand. Base



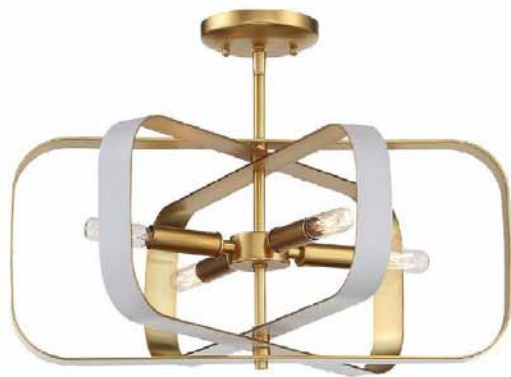
1216-706

Pendant
Honey Gold with Flat White Finish
26" w x 28" h
6 Light, 60W Cand. Base



1211-706

Mini Pendant
Honey Gold with Flat White Finish
7" dia. x 12" h
1 Light, 60W Medium Base



1219-706

Semi Flush
Honey Gold with Flat White Finish
20" dia. x 14 1/4" h
4 Light, 60W Cand. Base



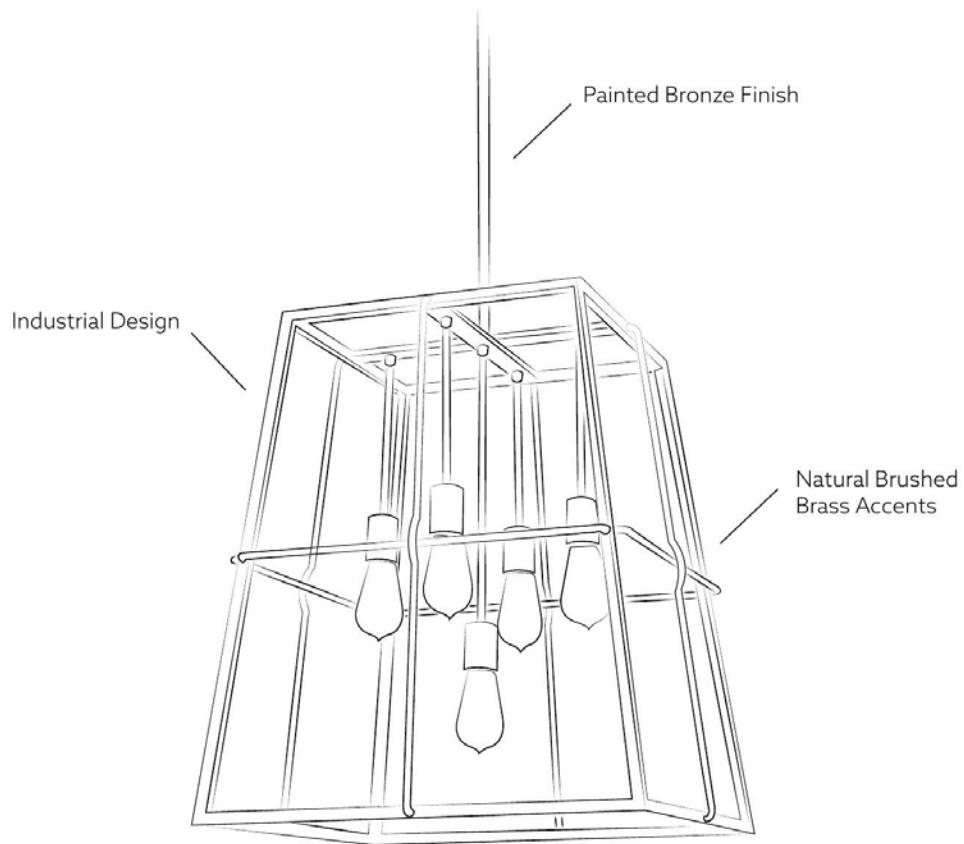
1214-706

Pendant
Honey Gold with Flat White Finish
14" dia. x 33 1/4" h
4 Light, 60W Cand. Base



MINKA-LAVERY®

Keeley Calle



.....

Industrial inspired cage ensemble with unique twists, designed to complement and enhance your home's inner beauty.

Keeley Calle

Industrial inspired cage ensemble with unique twists, designed to complement and enhance your home's inner beauty.



Canopy Detail

4765-416

Pendant
Painted Bronze with
Natural Brushed Brass Finish
22"sq. x 25½"h
5 Light, 60W Med. Base



4763-416

Pendant
Painted Bronze with
Natural Brushed Brass Finish
18"sq. x 17½"h
4 Light, 60W Med. Base





Canopy Detail

4764-416

Island Light
 Painted Bronze with
 Natural Brushed Brass Finish
 42"l x 12"w x 10¾"h
 4 Light, 60W Med. Base



4769-416

Semi Flush
 Painted Bronze with
 Natural Brushed Brass Finish
 13"sq. x 12½"h
 4 Light, 60W Med. Base



4761-416

Mini Pendant
 Painted Bronze
 with Natural Brushed Brass
 10"sq. x 9¼"h
 1 Light, 60W Med. Base

Criterion

Textured Forged Iron finish and Aged Brass combine to exemplify strength and beauty.

4628-099

Pendant
Aged Brass with
Textured Iron Finish
30" dia. x 32½" h
6 Light, 60W Cand. Base





4624-099

Pendant
Aged Brass with
Textured Iron Finish
16"dia. x 17½"h
4 Light, 60W Cand. Base



CONVERTIBLE to MINI PENDANT

13"

4622-099

Semi Flush (Convertible)
Aged Brass with
Textured Iron Finish
12"dia. x 14¾"h
3 Light, 60W Cand. Base



4623-099

Island Light
Aged Brass with
Textured Iron Finish
40"l x 12"w x 16"h
6 Light, 60W Cand. Base



Morrow

The Morrow Collection's minimalistic modern styling, using an industrial design and Harvard Court Bronze with Gold Highlights finish is sure to brighten any room in the house



4559-588

Chandelier
Harvard Court Bronze Finish
with Gold Highlights
29" dia x 31" h
9 Light, 60W Med. Base
Clear Glass



4555-588

Chandelier
Harvard Court Bronze Finish
with Gold Highlights
24"dia. x 26"h
5 Light, 60W Med. Base
Clear Glass



4553-588

Semi Flush
Harvard Court Bronze Finish
with Gold Highlights
16"dia. x 14"h
3 Light, 60W Med. Base
Clear Glass



Canopy Detail



4556-588

Island Light
Harvard Court Bronze Finish
with Gold Highlights
38"l x 4"w x 9³/₄"h
5 Light, 60W Med. Base
Clear Glass



A



B



C



D

A. 3551-588

1 Light Bath
Harvard Court Bronze Finish
with Gold Highlights
5" w x 10" h x 6 1/2" ext.
1 Light, 60W Med. Base
Clear Glass

B. 3552-588

2 Light Bath
Harvard Court Bronze Finish
with Gold Highlights
14 1/4" w x 9 1/4" h x 6 1/2" ext.
2 Light, 60W Med. Base
Clear Glass

C. 3553-588

3 Light Bath
Harvard Court Bronze Finish
with Gold Highlights
22" w x 9 1/4" h x 6 1/2" ext.
3 Light, 60W Med. Base
Clear Glass

D. 3554-588

4 Light Bath
Harvard Court Bronze Finish
with Gold Highlights
30 1/4" w x 9 1/4" h x 6 3/8" ext.
4 Light, 60W Med. Base
Clear Glass

Pillar

Glimmering staggered glass spires set upon a delicate chrome frame creates a bold statement enhancing your modern living space.



Canopy Detail



3097-77

Chandelier
Chrome Finish
26" dia. x 30 1/4" h
6 Light, 60W Cand. Base



Canopy Detail

3096-77

Island Light
 Chrome Finish
 38¼"l x 10¼"w x 18¼"h
 6 Light, 60W Cand. Base



3092-77

Wall Sconce
 Chrome Finish
 8"w x 10¼"h x 4"ext.
 2 Light, 60W Cand. Base
 ADA Compliant



3094-77

Chandelier
 Chrome Finish
 22"dia. x 27¾"h
 4 Light, 60W Cand. Base

Camden Square

The Aged Steel finish complemented by the Clear seeded glass make Camden Square the ultimate in urban sophistication.

4875-283

Mini Chandelier
Aged Charcoal Finish
15½"sq. x 19½"h
4 Light, 60W Cand. Base
Clear Seeded Glass



4879-283

Mini Pendant
Aged Charcoal Finish
7½"sq. x 13¼"h
1 Light, 100W Med. Base
Clear Seeded Glass

4876-283

Semi Flush
Aged Charcoal Finish
11"sq. x 12½"h
4 Light, 60W Cand. Base
Clear Seeded Glass



4870-283

Wall Sconce
Aged Charcoal Finish
8"w x 9½"h x 4½"ext
2 Light, 60W Cand. Base
Clear Seeded Glass

Camden Square



4878-283

Island Light
Aged Charcoal Finish
32"l x 15"w x 15¼"h
8 Light, 60W Cand. Base
Clear Seeded Glass



A



B



C

A. 4872-283

2 Light Bath
Aged Charcoal Finish
17" w x 5" h x 5½" ext.
2 Light, 100W Med. Base
Clear Seeded with Interior
Etched White Glass

B. 4873-283

3 Light Bath
Aged Charcoal Finish
24" w x 5" h x 5½" ext.
3 Light, 100W Med. Base
Clear Seeded with Interior
Etched White Glass

C. 4874-283

4 Light Bath
Aged Charcoal Finish
30" w x 5" h x 5½" ext.
4 Light, 100W Med. Base
Clear Seeded with Interior
Etched White Glass

Ainsley Court

Ainsley Court will add a classy design element to your transitional styled home. Textured earthen brown and brushed brass finish calls attention to it's design detail, while the ribbed glass shades element is a nod to a simpler time.



Canopy Detail



3045-560

Chandelier
Aged Kinston Bronze Finish
with Brushed Brass Highlights
25"dia. x 10¾"h
5 Light, 60W Med. Base
Clear Ribbed Glass



3049-560

Semi Flush
Aged Kinston Bronze Finish
with Brushed Brass Highlights
16"dia. x 14¼"h
4 Light, 60W Med. Base
Clear Ribbed Glass



3040-560

Mini Pendant
Aged Kinston Bronze Finish
with Brushed Brass Highlights
3¼"dia. x 10¾"h
1 Light, 60W Med. Base
Clear Ribbed Glass



3046-560

Island Light
Aged Kinston Bronze Finish
with Brushed Brass Highlights
30¼"l x 16½"w x 10"h
6 Light, 60W Med. Base
Clear Ribbed Glass

Ainsley Court





A. 3041-560

1 Light Bath
Aged Kinston Bronze Finish
with Brushed Brass
Highlights
4½" w x 9¾" h x 5¼" ext.
1 Light, 60W Med. Base
Clear Ribbed Glass

B. 3042-560

2 Light Bath
Aged Kinston Bronze Finish
with Brushed Brass
Highlights
15" w x 9¼" h x 5¼" ext.
2 Light, 60W Med. Base
Clear Ribbed Glass

C. 3043-560

3 Light Bath
Aged Kinston Bronze Finish
with Brushed Brass
Highlights
23" w x 9¼" h x 5¼" ext.
3 Light, 60W Med. Base
Clear Ribbed Glass

D. 3044-560

4 Light Bath
Aged Kinston Bronze Finish
with Brushed Brass
Highlights
32¾" w x 9¼" h x 5¼" ext.
4 Light, 60W Med. Base
Clear Ribbed Glass

Parsons Studio

The sleek and sophisticated "go anywhere" look of the Parsons Studio collection, combined with the double glass and Brushed Nickel, Smoked Iron, and Sand Coal finishes add brilliance to any home.



Canopy Detail



4109-84

Chandelier
Brushed Nickel Finish
31½" dia. x 28½" h
9 Light, 100W Med. Base
Clear with Inner
Etched White Glass



4105-84

Chandelier
Brushed Nickel Finish
25½"dia. x 23"h
5 Light, 100W Med. Base
Clear with Inner
Etched White Glass



4107-84

Semi Flush
Brushed Nickel Finish
15"dia. x 10"h
3 Light, 60W Med. Base
Translucent Silver Linen with
Inner Off-White Linen Shade
Frosted White Glass Diffuser



4103-84

Mini Chandelier
Brushed Nickel Finish
18"dia. x 18½"h
3 Light, 100W Med. Base
Clear with Inner
Etched White Glass



4104-84

Pendant
Brushed Nickel Finish
20½"dia. x 23½"h
3 Light, 100W Med. Base
Translucent Silver Linen with
Off-White Linen Inner Shade
Frosted White Glass Diffuser

4101-84

Mini Pendant
Brushed Nickel Finish
4½" dia. x 10" h
1 Light, 100W Med. Base
Clear with Inner
Etched White Glass



6101-84

1 Light Bath
Brushed Nickel Finish
4½" w x 8¾" h x 6" ext.
1 Light, 100W Med. Base
Clear with Inner
Etched White Glass





A



B



C



A. 6102-84

2 Light Bath
 Brushed Nickel Finish
 15"w x 8¾"h x 5¾"ext.
 2 Light, 100W Med. Base
 Clear with Inner
 Etched White Glass

B. 6103-84

3 Light Bath
 Brushed Nickel Finish
 24"w x 8¾"h x 5¾"ext.
 3 Light, 100W Med. Base
 Clear with Inner
 Etched White Glass

C. 6104-84

4 Light Bath
 Brushed Nickel Finish
 32½"w x 8¾"h x 5¾"ext.
 4 Light, 100W Med. Base
 Clear with Inner
 Etched White Glass

Parsons Studio



Canopy Detail



4109-172

Chandelier
Smoked Iron Finish
31½"dia. x 28½"h
9 Light, 100W Med. Base
Clear with Inner
Etched White Glass



4105-172

Chandelier
Smoked Iron Finish
25½"dia. x 23"h
5 Light, 100W Med. Base
Clear with Inner
Etched White Glass



4107-172

Semi Flush
Smoked Iron Finish
15"dia. x 10"h
3 Light, 60W Med. Base
Translucent Silver Linen with
Off-White Linen Inner Shade
Frosted White Glass Diffuser



4103-172

Mini Chandelier
Smoked Iron Finish
18"dia. x 18½"h
3 Light, 100W Med. Base
Clear with Inner
Etched White Glass



4104-172

Pendant
Smoked Iron Finish
20½"dia. x 23½"h
3 Light, 100W Med. Base
Translucent Silver Linen with
Off-White Linen Inner Shade
Frosted White Glass Diffuser

4101-172

Mini Pendant
Smoked Iron Finish
4½" dia. x 10" h
1 Light, 100W Med. Base
Clear with Inner
Etched White Glass



6101-172

1 Light Bath
Smoked Iron Finish
4½" w x 8¾" h x 6" ext.
1 Light, 100W Med. Base
Clear with Inner
Etched White Glass





A



B



C



A. 6102-172
 2 Light Bath
 Smoked Iron Finish
 15" w x 8 3/4" h x 5 3/4" ext.
 2 Light, 100W Med. Base
 Clear with Inner
 Etched White Glass

B. 6103-172
 3 Light Bath
 Smoked Iron Finish
 24" w x 8 3/4" h x 5 3/4" ext.
 3 Light, 100W Med. Base
 Clear with Inner
 Etched White Glass

C. 6104-172
 4 Light Bath
 Smoked Iron Finish
 32 1/2" w x 8 3/4" h x 5 3/4" ext.
 4 Light, 100W Med. Base
 Clear with Inner
 Etched White Glass



Canopy Detail



4109-66

Chandelier
Sand Coal Finish
31½" dia. x 28½" h
9 Light, 100W Med. Base
Clear with Inner
Etched White Glass



4105-66

Chandelier
Sand Coal Finish
25½"dia. x 23"h
5 Light, 100W Med. Base
Clear with Inner
Etched White Glass



4107-66

Semi Flush
Sand Coal Finish
15"dia. x 10"h
3 Light, 60W Med. Base
Translucent Silver Linen with
Off-White Linen Inner Shade
Frosted White Glass Diffuser



4103-66

Mini Chandelier
Sand Coal Finish
18"dia. x 18½"h
3 Light, 100W Med. Base
Clear with Inner
Etched White Glass



4104-66

Pendant
Sand Coal Finish
20½"dia. x 23½"h
3 Light, 100W Med. Base
Translucent Silver Linen with
Off-White Linen Inner Shade
Frosted White Glass Diffuser



4101-66

Mini Pendant
Sand Coal Finish
4½" dia. x 10" h
Drop: min. 18½" - max. 54½"
1 Light, 100W Med. Base
Clear with Inner
Etched White Glass



6101-66

1 Light Bath
Sand Coal Finish
4½" w x 8¾" h x 6" ext.
1 Light, 100W Med. Base
Clear with Inner
Etched White Glass





A



B



C



A. 6102-66

2 Light Bath
 Sand Coal Finish
 15" w x 8¾" h x 5¾" ext.
 2 Light, 100W Med. Base
 Clear with Inner
 Etched White Glass

B. 6103-66

3 Light Bath
 Sand Coal Finish
 24" w x 8¾" h x 5¾" ext.
 3 Light, 100W Med. Base
 Clear with Inner
 Etched White Glass

C. 6104-66

4 Light Bath
 Sand Coal Finish
 32½" w x 8¾" h x 5¾" ext.
 4 Light, 100W Med. Base
 Clear with Inner
 Etched White Glass

Overland Park

The Overland Park collection combines our Minka-Lavery® quality with a clean architectural design in either Brushed Nickel or Oil Rubbed Bronze finishes. The collection is specially priced to give value, design and sleek transitional spirit.



4968-84

Chandelier
Brushed Nickel Finish
39"dia. x 39½"h
12 Light, 60W Med. Base
Etched White Glass

4969-84

Chandelier
Brushed Nickel Finish
30" dia. x 29 1/4" h
9 Light, 100W Med. Base
Etched White Glass



4965-84

Chandelier
Brushed Nickel Finish
26" dia. x 25" h
5 Light, 100W Med. Base
Etched White Glass

Overland Park



4963-84

Mini Chandelier
Brushed Nickel Finish
16"dia. x 15¾"h
3 Light, 100W Med. Base
Etched White Glass



4964-84

Pendant
Brushed Nickel Finish
21½"dia. x 25½"h
3 Light, 100W Med. Base
Etched White Glass



4961-84

Mini Pendant
Brushed Nickel Finish
4¾"dia. x 7½"h
1 Light, 100W Med. Base
Etched White Glass



4962-84

Semi Flush
Brushed Nickel Finish
16½"dia. x 11¾"h
3 Light, 100W Med. Base
Etched White Glass



4960-84

Flush Mount
Brushed Nickel Finish
13"dia. x 6"h
2 Light, 60W Med. Base
Etched White Glass



A



B



C



D

A. 6961-84

1 Light Bath
Brushed Nickel Finish
4½"w x 9"h x 5¾"ext.
1 Light, 100W Med. Base
Etched White Glass

B. 6962-84

2 Light Bath
Brushed Nickel Finish
13"w x 8¼"h x 5¾"ext.
2 Light, 100W Med. Base
Etched White Glass

C. 6963-84

3 Light Bath
Brushed Nickel Finish
22¾"w x 8¼"h x 5¾"ext.
3 Light, 100W Med. Base
Etched White Glass

D. 6964-84

4 Light Bath
Brushed Nickel Finish
30½"w x 9"h x 5¾"ext.
4 Light, 100W Med. Base
Etched White Glass

Overland Park

4969-284

Chandelier
Vintage Bronze Finish
30" dia. x 29 1/4" h
9 Light, 100W Med. Base
Etched White Glass



4965-284

Chandelier
Vintage Bronze Finish
26" dia. x 25" h
5 Light, 100W Med. Base
Etched White Glass





4963-284

Mini Chandelier
Vintage Bronze Finish
16"dia. x 15¾"h
3 Light, 100W Med. Base
Etched White Glass



4964-284

Pendant
Vintage Bronze Finish
21½"dia. x 25½"h
3 Light, 100W Med. Base
Etched White Glass



4961-284

Mini Pendant
Vintage Bronze Finish
4¾"dia. x 7½"h
Drop: min. 16" - max. 52"
1 Light, 100W Med. Base
Etched White Glass

Overland Park



4960-284

Flush Mount
Vintage Bronze
13" dia. x 6"h
2 Light, 60W Med. Base
Etched White Glass



4962-284

Semi Flush
Vintage Bronze Finish
16 1/2" dia. x 11 3/4" h
3 Light, 100W Med. Base
Etched White Glass

Middlebrook



A



B



C



D

A. 6961-284

1 Light Bath
Vintage Bronze
4½" w x 9" h x 5¾" ext.
1 Light, 100W Med. Base
Etched White Glass

B. 6962-284

2 Light Bath
Vintage Bronze
13" w x 8¼" h x 5¾" ext.
2 Light, 100W Med. Base
Etched White Glass

C. 6963-284

3 Light Bath
Vintage Bronze
22¾" w x 8¼" h x 5¾" ext.
3 Light, 100W Med. Base
Etched White Glass

D. 6964-284

4 Light Bath
Vintage Bronze
30½" w x 9" h x 5¾" ext.
4 Light, 100W Med. Base
Etched White Glass

Elyton

Elegant curves capture a graceful beauty as they seem to flow in timeless motion.



Canopy Detail



Canopy Detail



4646-579

Chandelier
Downton Bronze Finish
with Gold Highlights
36"dia. x 39"h
12 Light, 60W Cand. Base
Clear Seeded Glass



4657-579

Pendant
Downton Bronze Finish
with Gold Highlights
20"dia. x 21¼"h
4 Light, 60W Cand. Base
Clear Seeded Glass



4658-579

Pendant
Downton Bronze Finish
with Gold Highlights
15"l x 15"w x 21½"h
4 Light, 60W Cand. Base
Clear Seeded Glass



4645-579

Island Light
Downton Bronze Finish
with Gold Highlights
42½"l x 3¼"w x 15"h
5 Light, 60W Cand. Base
Clear Seeded Glass

Elyton

Elegant curves capture a graceful beauty as they seem to flow in timeless motion.



Canopy Detail



4659-579

Chandelier
Downton Bronze Finish
with Gold Highlights
30"dia. x 33"h
9 Light, 60W Cand. Base
Clear Seeded Glass



4655-579

Chandelier
Downton Bronze Finish
with Gold Highlights
26"dia. x 25"h
5 Light, 60W Cand. Base
Clear Seeded Glass



4656-579

Semi Flush
Downton Bronze Finish
with Gold Highlights
16"l x 16"w x 13"h
4 Light, 60W Cand. Base



4650-579

Mini Pendant
Downton Bronze Finish
with Gold Highlights
3½"dia. x 8½"h
1 Light, 60W Med. Base
Clear Seeded Glass





A. 4651-579

1 Light Bath
 Downton Bronze Finish
 with Gold Highlights
 4½" w x 8¾" h x 5¾" ext.
 1 Light, 60W Cand. Base
 Clear Seeded Glass

B. 4652-579

2 Light Bath
 Downton Bronze Finish
 with Gold Highlights
 13" w x 8¾" h x 5¾" ext.
 2 Light, 60W Cand. Base
 Clear Seeded Glass

C. 4653-579

3 Light Bath
 Downton Bronze Finish
 with Gold Highlights
 20¼" w x 8¾" h x 5¾" ext.
 3 Light, 60W Cand. Base
 Clear Seeded Glass

D. 4654-579

4 Light Bath
 Downton Bronze Finish
 with Gold Highlights
 28¾" w x 8¾" h x 5¾" ext.
 4 Light, 60W Cand. Base
 Clear Seeded Glass

I730 Series

A simple and subtle family that utilizes clean hard lines and Etched Glass Box-Pleated shades. Our Polished Nickel or Lathan Bronze™ finishes coupled with our glass accents creates a transitional family that is suitable for any interior.



Canopy Detail



1738-613

Semi Flush
Polished Nickel Finish
16" dia. x 13½" h
3 Light, 60W Med. Base
Etched Glass Box-Pleat



1731-613

Mini Pendant
Polished Nickel Finish
5¾" dia. x 5½" h
1 Light, 100W Med. Base
Etched Glass Box-Pleat



1734-613

Island Light
Polished Nickel Finish
32" l x 5¾" w x 7½" h
3 Light, 100W Med. Base
Etched Glass Box-Pleat



A



B



C



D

1737-1-613

Pendant
Polished Nickel Finish
16¾"dia. x 24¼"h
3 Light, 100W Med. Base
Etched Glass Box-Pleat

A. 6731-1-613

1 Light Bath
Polished Nickel Finish
5½"w x 7"h x 7¾"ext.
1 Light, 100W Med. Base
Etched Glass Box-Pleat

B. 6732-1-613

2 Light Bath
Polished Nickel Finish
14¾"w x 7"h x 7¾"ext.
2 Light, 100W Med. Base
Etched Glass Box-Pleat

C. 6733-1-613

3 Light Bath
Polished Nickel Finish
23¾"w x 7"h x 7¾"ext.
3 Light, 100W Med. Base
Etched Glass Box-Pleat

D. 6734-1-613

4 Light Bath
Polished Nickel Finish
32½"w x 7"h x 7¾"ext.
4 Light, 100W Med. Base
Etched Glass Box-Pleat

■ 1730 Series



1738-167

Semi Flush
Lathan Bronze™ Finish
16"dia. x 13½"h
3 Light, 60W Med. Base
Etched Glass Box-Pleat



A



B



C



D

A. 6731-167

1 Light Bath
Lathan Bronze™ Finish
5½" w x 7" h x 7¾" ext.
1 Light, 100W Med. Base
Etched Glass Box-Pleat

B. 6732-167

2 Light Bath
Lathan Bronze™ Finish
14¾" w x 7" h x 7¾" ext.
2 Light, 100W Med. Base
Etched Glass Box-Pleat

C. 6733-167

3 Light Bath
Lathan Bronze™ Finish
23¾" w x 7" h x 7¾" ext.
3 Light, 100W Med. Base
Etched Glass Box-Pleat

D. 6734-167

4 Light Bath
Lathan Bronze™ Finish
32½" w x 7" h x 7¾" ext.
4 Light, 100W Med. Base
Etched Glass Box-Pleat

Agilis™

Agilis™ embodies our special faceted Lamina Blanca glass, bold sweeping profiles, and true value to create an outstanding contemporary collection. With a choice of Brushed Nickel or Black finishes, this collection will fit any home and remain a popular choice for years to come.



Canopy Detail



1815-84

Chandelier
Brushed Nickel Finish
27" dia. x 19½" h
5 Light, 100W Med. Base
Lamina Blanca Glass



6810-84

Wall Sconce
Brushed Nickel Finish
7¾" w x 20" h x 7¼" ext.
1 Light, 100W Med. Base
Lamina Blanca Glass



1816-84

Semi Flush
Brushed Nickel Finish
15½" sq. x 12½" h
2 Light, 100W Med. Base
Lamina Blanca Glass



1811-84

Mini Pendant
Brushed Nickel Finish
7¾" sq. x 6" h
1 Light, 100W Med. Base
Lamina Blanca Glass



A. 6811-84

1 Light Bath
Brushed Nickel Finish
7¾" w x 8½" h x 7¼" ext.
1 Light, 100W Med. Base
Lamina Blanca Glass

B. 6812-84

2 Light Bath
Brushed Nickel Finish
21" w x 8¼" h x 8¾" ext.
2 Light, 100W Med. Base
Lamina Blanca Glass

C. 6813-84

3 Light Bath
Brushed Nickel Finish
32" w x 8¼" h x 8¾" ext.
3 Light, 100W Med. Base
Lamina Blanca Glass

D. 6814-84

4 Light Bath
Brushed Nickel Finish
43" w x 8¼" h x 8¾" ext.
4 Light, 100W Med. Base
Lamina Blanca Glass

Agilis™



Canopy Detail

1815-66

Chandelier
Sand Coal Finish
27" dia. x 19½" h
5 Light, 100W Med. Base
Lamina Blanca Glass



1816-66

Semi Flush
Sand Coal Finish
15½" sq. x 12½" h
2 Light, 100W Med. Base
Lamina Blanca Glass



1811-66

Mini Pendant
Sand Coal Finish
7¼" sq. x 6" h
1 Light, 100W Med. Base
Lamina Blanca Glass



A



B



C



D

A. 6811-66

1 Light Bath
Sand Coal Finish
7¾" w x 8½" h x 7¼" ext.
1 Light, 100W Med. Base
Lamina Blanca Glass

B. 6812-66

2 Light Bath
Sand Coal Finish
21" w x 8¼" h x 8¾" ext.
2 Light, 100W Med. Base
Lamina Blanca Glass

C. 6813-66

3 Light Bath
Sand Coal Finish
32" w x 8¼" h x 8¾" ext.
3 Light, 100W Med. Base
Lamina Blanca Glass

D. 6814-66

4 Light Bath
Sand Coal Finish
43" w x 8¼" h x 8¾" ext.
4 Light, 100W Med. Base
Lamina Blanca Glass

Paradox™

The Paradox™ group is designed to fit comfortably into any home and budget. Strong lines are softened with our Brushed Nickel finish and Etched Marble glass. Quality and style make this a very attractive collection. It is rare to find such a statement at such a good value.

1425-84

Chandelier
Brushed Nickel Finish
27" dia. x 23½" h
5 Light, 100W Med. Base
Etched Marble Glass



1423-84

Chandelier
Brushed Nickel Finish
23" dia. x 20" h
3 Light, 100W Med. Base
Etched Marble Glass



1426-84

Pendant
Brushed Nickel Finish
18½"dia. x 20"h
3 Light, 100W Med. Base
Etched Marble Glass



1421-84

Mini Pendant
Brushed Nickel Finish
6½"dia. x 5½"h
1 Light, 100W Med. Base
Etched Marble Glass



1424-84

Semi Flush
Brushed Nickel Finish
17"dia. x 12"h
3 Light, 100W Med. Base
Etched Marble Glass



1420-84

Wall Sconce
Brushed Nickel Finish
13"w x 7"h x 6½"ext.
2 Light, 60W Cand. Base
Etched Marble Glass

1430-84

Mirror - Beveled
Brushed Nickel Finish
24"w x 33"h x 1½"ext.



Also available in a Coal Finish
1430-66A



893-84

Flush Mount
Brushed Nickel Finish
15½"dia. x 6½"h
3 Light, 60W Med. Base
Etched Marble Glass



A. 5422-84

2 Light Bath
Brushed Nickel Finish
18" w x 7 1/4" h x 8 1/2" ext.
2 Light, 100W Med. Base
Etched Marble Glass

B. 5423-84

3 Light Bath
Brushed Nickel Finish
24" w x 7 1/4" h x 8 1/2" ext.
3 Light, 100W Med. Base
Etched Marble Glass

C. 5424-84

4 Light Bath
Brushed Nickel Finish
30" w x 7 1/4" h x 8 1/2" ext.
4 Light, 100W Med. Base
Etched Marble Glass

D. 5425-84

5 Light Bath
Brushed Nickel Finish
37 3/4" w x 7 1/4" h x 8 1/2" ext.
5 Light, 100W Med. Base
Etched Marble Glass

Audrey's Point

The quality of the Audrey's Point collection is displayed in the detail-oriented finishing in Polished Nickel. The mouth-blown, flared Opal glass shades, or hand-blown Clear glass shade for the pendants, beautifully showcase the timeless design.

3299-613

Chandelier
Polished Nickel Finish
31¼"dia. x 29½"h
9 Light, 100W Med. Base
Etched Opal Glass



3295-613

Chandelier
Polished Nickel Finish
25"dia. x 25¼"h
5 Light, 100W Med. Base
Etched Opal Glass



3290-613

Mini Pendant
Polished Nickel Finish
5½"dia. x 8½"h
1 Light, 100W Med. Base
Etched Opal Glass



A



B



C



A. 3291-613

1 Light Bath
Polished Nickel Finish
5½"w x 10¾"h x 6¾"ext.
1 Light, 100W Med. Base
Etched Opal Glass

B. 3292-613

2 Light Bath
Polished Nickel Finish
15"w x 8½"h x 7½"ext.
2 Light, 100W Med. Base
Etched Opal Glass

C. 3293-613

3 Light Bath
Polished Nickel Finish
22¼"w x 8½"h x 7½"ext.
3 Light, 100W Med. Base
Etched Opal Glass

Savannah Row

Flowing lines are featured throughout this clean traditional collection. Crisp details reflect the light beautifully.

3339-84

Chandelier
Brushed Nickel Finish
33½"dia. x 36"h
9 Light, 60W Cand. Base



3336-84

Chandelier
Brushed Nickel Finish
26"dia. x 26¾"h
6 Light, 60W Cand. Base

3333-84

Pendant
Brushed Nickel Finish
17¼"dia. x 31¼"h
4 Light, 60W Cand. Base



3331-84

Pendant
Brushed Nickel Finish
13"dia. x 24½"h
4 Light, 60W Cand. Base

Savannah Row

3334-84

Chandelier
Brushed Nickel Finish
20" dia. x 22½" h
4 Light, 60W Cand. Base



CONVERTIBLE to PENDANT



3332-84

Semi Flush (Convertible)
Brushed Nickel Finish
18" dia. x 20¾" h
4 Light, 60W Cand. Base



A



B



C



D

A. 3321-84

1 Light Bath
Brushed Nickel Finish
5½" w x 9¼" h x 7¼" ext.
1 Light, 100W Med. Base
Etched Opal Glass

B. 3322-84

2 Light Bath
Brushed Nickel Finish
18" w x 8¼" h x 7" ext.
2 Light, 100W Med. Base
Etched Opal Glass

C. 3323-84

3 Light Bath
Brushed Nickel Finish
22¾" w x 8¼" h x 8¼" ext.
3 Light, 100W Med. Base
Etched Opal Glass

D. 3324-84

4 Light Bath
Brushed Nickel Finish
31" w x 8¼" h x 8½" ext.
4 Light, 100W Med. Base
Etched Opal Glass

Shadowglen

Shadowglen uses the combination of Lathan Bronze™ and Gold Highlights to bring forward contrasting yet beautiful finishes. Shown with Etched White glass, this transitional design goes nicely with today's interiors.



Canopy Detail



3285-589

Chandelier
Lathan Bronze™ Finish
with Gold Highlights
26¼"dia. x 26½"h
5 Light, 100W Med. Base
Etched White Glass

3284-589

Pendant
Lathan Bronze™ Finish
with Gold Highlights
21¼"dia. x 22¾"h
3 Light, 100W Med. Base
Etched White Glass



3287-589

Pendant
Lathan Bronze™ Finish
with Gold Highlights
20"dia. x 22"h
3 Light, 100W Med. Base
White Fabric Shade
Etched White Glass Diffuser

Shadowglen



Canopy Detail



3282-589

Semi Flush
Lathan Bronze™ Finish
with Gold Highlights
18¼"dia. x 11¾"h
2 Light, 100W Med. Base
Etched White Glass



3286-589

Semi Flush
Lathan Bronze™ Finish
with Gold Highlights
16"dia. x 12"h
3 Light, 100W Med. Base
White Fabric Shade
Etched White Glass Diffuser



3288-589

Flush Mount
Lathan Bronze™ Finish
with Gold Highlights
15"dia. x 7½"h
3 Light, 60W Med. Base
Etched White Glass



3281-589

Mini Pendant
Lathan Bronze™ Finish
with Gold Highlights
6¼"dia. x 7"h
1 Light, 100W Med. Base
Etched White Glass



A



B



C



D

A. 2281-589

1 Light Bath
Lathan Bronze™ Finish
with Gold Highlights
6¼" w x 8" h x 7½" ext.
1 Light, 100W Med. Base
Etched White Glass

B. 2282-589

2 Light Bath
Lathan Bronze™ Finish
with Gold Highlights
16" w x 8¼" h x 7½" ext.
2 Light, 100W Med. Base
Etched White Glass

C. 2283-589

3 Light Bath
Lathan Bronze™ Finish
with Gold Highlights
23" w x 8¼" h x 7½" ext.
3 Light, 100W Med. Base
Etched White Glass

D. 2284-589

4 Light Bath
Lathan Bronze™ Finish
with Gold Highlights
31½" w x 8¾" h x 7½" ext.
4 Light, 100W Med. Base
Etched White Glass

Middletown

The Middletown collection features our Downton Bronze finish with Gold accents. The clean lined, yet geometric shaped collection is offered in a handful of application specific designs that will inspire yet enhance the spaces décor.



4373-579

Pendant
Downton Bronze Finish
with Gold Highlights
17"dia. x 30"h
5 Light, 60W Cand. Base



4376-579

Chandelier
Downton Bronze Finish
with Gold Highlights
34"dia. x 21½"h
6 Light, 60W Cand. Base



4374-579

Mini Chandelier
Downton Bronze Finish
with Gold Highlights
16"dia. x 20¼"h
4 Light, 60W Cand. Base



4375-579

Chandelier
Downton Bronze Finish
with Gold Highlights
23"dia. x 23¾"h
5 Light, 60W Cand. Base

Calavera™

Calavera's appeal coupled with natural elements of Alabaster dust is offered in a sconce and 3 proportionate-sized bowls. Calavera is integrated with Nutmeg accented hardware for complete sophistication and perennial design.



684-14

Pendant
Nutmeg™ Finish
32" dia. x 39" h
5 Light, 100W Med. Base
Alabaster Dust™ Shade
Light Shield Incl.

© Minka Lighting, Inc.



680-14

Wall Sconce
Nutmeg™ Finish
12¾" w x 6½" h x 6½" ext.
1 Light, 100W Med. Base
Alabaster Dust™ Shade



687-14

Semi Flush
Nutmeg™ Finish
14" dia. x 7¾" h
3 Light, 40W G16½ Cand. Base
Alabaster Dust™ Shade



682-14

Pendant
Nutmeg™ Finish
24" dia. x 31¾" h
3 Light, 60W Med. Base
Alabaster Dust™ Shade
Light Shield Incl.

© Minka Lighting, Inc.

Illuminati™

Distinctive lighting designs that harken back to the romantic period with touches inspired by the magnificent furnishings of Hearst Castle®. These wonderful evocative pieces, like family heirlooms, carry with them their own personal stories.



Canopy Detail



1358-177

Chandelier
Illuminati Bronze™ Finish
38¾" dia. x 33½" h
9 Light, 100W Med. Base
Silver Patina Glass
U.S. Patent(s): D577,459; D579,143
© Minka Lighting, Inc.



1356-177

Chandelier
Illuminati Bronze™ Finish
33¼"dia. x 33½"h
6 Light, 100W Med. Base
Silver Patina Glass
U.S. Patent(s): D577,459; D579,143
© Minka Lighting, Inc.



1351-177

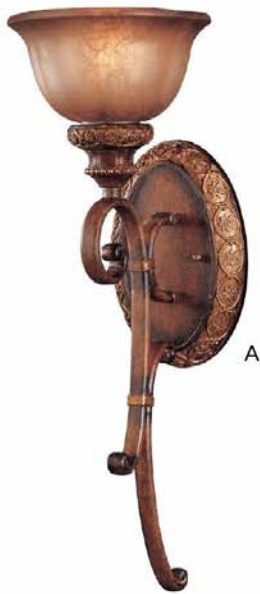
Mini Pendant
Illuminati Bronze™ Finish
8"dia. x 6½"h
Drop: min. 15½" - max. 51½"
1 Light, 100W Med. Base
Silver Patina Glass
U.S. Patent(s): D577,459; D579,143
© Minka Lighting, Inc.



1355-177

Chandelier
Illuminati Bronze™ Finish
28"dia. x 28"h
5 Light, 100W Med. Base
Silver Patina Glass
U.S. Patent(s): D577,459; D579,143
© Minka Lighting, Inc.

Illuminati™



A



B



C



D

A. 6350-177

Wall Sconce
 Illuminati Bronze™ Finish
 8" w x 23¼" h x 9¼" ext.
 1 Light, 100W Med. Base
 Silver Patina Glass

U.S. Patent(s): D577,459; D579,143
 © Minka Lighting, Inc.

B. 6352-177

2 Light Bath
 Illuminati Bronze™ Finish
 18¾" w x 9¾" h x 9" ext.
 2 Light, 100W Med. Base
 Silver Patina Glass

U.S. Patent(s): D577,459; D579,143
 © Minka Lighting, Inc.

C. 6353-177

3 Light Bath
 Illuminati Bronze™ Finish
 28¾" w x 9¾" h x 8¾" ext.
 3 Light, 100W Med. Base
 Silver Patina Glass

U.S. Patent(s): D577,459; D579,143
 © Minka Lighting, Inc.

D. 6354-177

4 Light Bath
 Illuminati Bronze™ Finish
 40¼" w x 10" h x 9½" ext.
 4 Light, 100W Med. Base
 Silver Patina Glass

U.S. Patent(s): D577,459; D579,143
 © Minka Lighting, Inc.

Aston Court™

Aston Court™ reveals a depth of neo-classical influence merged with the glamour of high fashion. A traditional proportion combined with unique Avorio Mezzo™ glass and exquisite crystal details give Aston Court™ lasting elegance.



4751-206

Pendant
Aston Court Bronze™ Finish
10" dia. x 13½" h
1 Light, 100W Med. Base
Avorio Mezzo™ Glass
© Minka Lighting, Inc.



5741-206

1 Light Bath
Aston Court Bronze™ Finish
5¾" w x 10¼" h x 8¼" ext.
1 Light, 100W Med. Base
Avorio Mezzo™ Glass
© Minka Lighting, Inc.



5742-206

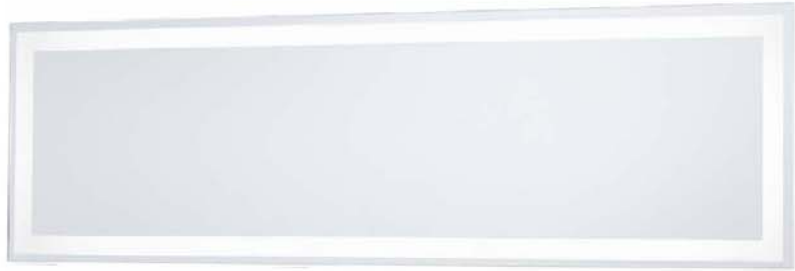
2 Light Bath
Aston Court Bronze™ Finish
14½" w x 10¼" h x 8½" ext.
2 Light, 100W Med. Base
Avorio Mezzo™ Glass
© Minka Lighting, Inc.

LED Mirrored Vanities



6110-0

LED Vanity Mirror
18" w x 6³/₄" h x 1¹/₄" ext.
21W **LED** 1136 Lumens
Patent Pending



6110-1

LED Vanity Mirror
24" w x 6³/₄" h x 1¹/₄" ext.
25W **LED** 1677 Lumens
Patent Pending



6110-2

LED Vanity Mirror
30" w x 6³/₄" h x 1¹/₄" ext.
27W **LED** 1808 Lumens
Patent Pending



6110-3

LED Vanity Mirror
36" w x 6³/₄" h x 1¹/₄" ext.
28W **LED** 2113 Lumens
Patent Pending

LED Mirrored Vanities



6119-0

LED Vanity Mirror
18" w x 6³/₄" h x 1¹/₄" ext.
19W LED 935 Lumens
Patent Pending



6119-1

LED Vanity Mirror
24" w x 6¾" h x 1¼" ext.
23W LED 1130 Lumens
Patent Pending



6119-2

LED Vanity Mirror
30" w x 6¾" h x 1¼" ext.
24W LED 1221 Lumens
Patent Pending



6119-3

LED Vanity Mirror
36" w x 6¾" h x 1¼" ext.
22W LED 1345 Lumens
Patent Pending

Graham Avenue Bath



B



A



C



D



A. 2731-709

1 Light Bath
Smoked Iron and
Brushed Nickel Finish
5" w x 8½" h x 6¾" ext.
1 Light, 60W Cand. Base
Clear Pressed Glass

B. 2732-709

2 Light Bath
Smoked Iron and
Brushed Nickel Finish
13½" w x 8½" h x 6¾" ext.
2 Light, 60W Cand. Base
Clear Pressed Glass

C. 2733-709

3 Light Bath
Smoked Iron and
Brushed Nickel Finish
22" w x 8½" h x 6¾" ext.
3 Light, 60W Cand. Base
Clear Pressed Glass

D. 2734-709

4 Light Bath
Smoked Iron and
Brushed Nickel Finish
30½" w x 8½" h x 6¾" ext.
4 Light, 60W Cand. Base
Clear Pressed Glass

Round-A-Bout LED Bath



2510-84-L

LED Bath Vanity
Brushed Nickel Finish
24½"W x 4¾"H x 3¾"Ext
24W **LED** 1400 Estimated Delivered Lumens
Frosted Aquarium Glass



2511-84-L

LED Bath Vanity
Brushed Nickel Finish
30"W x 4¾"H x 3¾"Ext
30W **LED** 1700 Estimated Delivered Lumens
Frosted Aquarium Glass

Averton LED Bath



390-1-66A-L

LED Bath
Coal Finish
22"W x 4¾"H x 3½"Ext..
33W LED - 3000K 1600 Lumens
Aquarium Glass
Patent Pending



390-2-66A-L

LED Bath
Coal Finish
30"W x 4¾"H x 3½"Ext..
40W LED - 3000K 2000 Lumens
Aquarium Glass
Patent Pending

Beacon Avenue LED Bath



A



B



C



D

A. 2421-84-L

1 Light Bath
Brushed Nickel Finish
6½" w x 6¼" h x 8" ext.
1/6½" W LED
3000K 350 Lumens
Clear Seeded Glass

B. 2422-84-L

2 Light Bath
Brushed Nickel Finish
15¼" w x 6¼" h x 8" ext.
2/6½" W LED
3000K 700 Lumens
Clear Seeded Glass

C. 2423-84-L

3 Light Bath
Brushed Nickel Finish
24" w x 6¼" h x 8" ext.
3/6½" W LED
3000K 900 Lumens
Clear Seeded Glass

D. 2424-84-L

4 Light Bath
Brushed Nickel Finish
32½" w x 6¼" h x 8" ext.
4/6½" W LED
3000K 1200 Lumens
Clear Seeded Glass

Drury LED Bath



A. 3012-572-L

2 Light Bath
Coal and Polished
Nickel Finish
17½"W x 6¼"H x 5¼"Ext.
2 Light, 8W **LED**
3000K 1297 Lumens
Etched Opal Glass

B. 3013-572-L

3 Light Bath
Coal and Polished
Nickel Finish
26¾"W x 6¼"H x 5¼"Ext.
3 Light, 8W **LED**
3000K 1834 Lumens
Etched Opal Glass

C. 3014-572-L

4 Light Bath
Coal and Polished
Nickel Finish
36¼"W x 6¼"H x 5¼"Ext.
4 Light, 8W **LED**
3000K 2411 Lumens
Etched Opal Glass





A



B



C



D

A. 3011-613

1 Light Bath
Polished Nickel Finish
8"W x 6¼"H x 5"Ext.
1 Light, 75W G9 Xenon Incl.
Etched Opal Glass

B. 3012-613-L

2 Light Bath
Polished Nickel Finish
17½"W x 6¼"H x 5¼"Ext.
4/8W **LED**
3000K 1297 Lumens
Etched Opal Glass

C. 3013-613-L

3 Light Bath
Polished Nickel Finish
26¾"W x 6¼"H x 5¼"Ext.
3/8W **LED**
3000K 1834 Lumens
Etched Opal Glass

D. 3014-613-L

4 Light Bath
Polished Nickel Finish
36¼"W x 6¼"H x 5¼"Ext.
4/8W **LED**
3000K 2411 Lumens
Etched Opal Glass

High Rise LED Bath



A. 2921-77-L

LED Bath
Chrome Finish
8¼" w x 5½" h x 4" ext.
14W **LED**
951 Lumens +CRI
Mitered White Glass
ADA Compliant

B. 2922-77-L

LED Bath
Chrome Finish
24¼" w x 5½" h x 4" ext.
37W **LED**
2778 Lumens +CRI
Mitered White Glass
ADA Compliant

C. 2923-77-L

LED Bath
Chrome Finish
30" w x 5½" h x 4" ext.
44W **LED**
3598 Lumens +CRI
Mitered White Glass
ADA Compliant

Dewberry Lane LED Bath



A



B



C



D

A. 4901-267-L

1 Light Bath
Dark Brushed
Bronze Finish
5" w x 7 $\frac{3}{4}$ " h x 5" ext.
1-6W **LED**
3000K 1148 Lumens
Clear Beaded Glass

B. 4902-267-L

2 Light Bath
Dark Brushed
Bronze Finish
11 $\frac{1}{2}$ " w x 7 $\frac{3}{4}$ " h x 5" ext.
2-10W **LED**
3000K 1867 Lumens
Clear Beaded Glass

C. 4903-267-L

3 Light Bath
Dark Brushed
Bronze Finish
19 $\frac{3}{4}$ " w x 7 $\frac{3}{4}$ " h x 5" ext.
3-30W **LED**
3000K 544 Lumens
Clear Beaded Glass

D. 4904-267-L

4 Light Bath
Dark Brushed
Bronze Finish
28" w x 7 $\frac{3}{4}$ " H x 5" ext.
4-40W **LED**
3000K 2380 Lumens
Clear Beaded Glass

Bishop Crossing Bath



A. 2451-695

1 Light Bath
Soft Brass Finish
6½" w x 9" h x 4" ext.
1 Light, 60W Cand. Base
Etched White Glass

B. 2452-695

2 Light Bath
Soft Brass Finish
15½" w x 9" h x 4" ext.
2 Light, 60W Cand. Base
Etched White Glass

C. 2453-695

3 Light Bath
Soft Brass Finish
24½" w x 9" h x 4" ext.
3 Light, 60W Cand. Base
Etched White Glass

D. 2454-695

4 Light Bath
Soft Brass Finish
33½" w x 9" h x 4" ext.
4 Light, 60W Cand. Base
Etched White Glass

Waverly Plaza Bath



A



B



C



A. 2462-691

2 Light Bath
Brushed Nickel
and Coal Finish
14¾" w x 7½" h x 6¾" ext.
2 Light, 60W Med. Base
Etched Opal Glass

B. 2463-691

3 Light Bath
Brushed Nickel
and Coal Finish
23¼" w x 7½" h x 6¾" ext.
3 Light, 60W Med. Base
Etched Opal Glass

C. 2464-691

4 Light Bath
Brushed Nickel
and Coal Finish
31¾" w x 7½" h x 6¾" ext.
4 Light, 60W Med. Base
Etched Opal Glass

Keyport Bath



B

A



C



D

A. 4911-653

1 Light Bath
Sand Coal with Natural
Brushed Brass Finish
6½" w x 7 ½" h x 8 ½" ext.
1 Light, 60W Med. Base
Clear Banded Glass

B. 4912-653

2 Light Bath
Sand Coal with Natural
Brushed Brass Finish
15" w x 7 ½" h x 8 ½" ext.
2 Light, 60W Med. Base
Clear Banded Glass

C. 4913-653

3 Light Bath
Sand Coal with Natural
Brushed Brass Finish
25" w x 7 ½" h x 8 ½" ext.
3 Light, 60W Med. Base
Clear Banded Glass

D. 4914-653

4 Light Bath
Sand Coal with Natural
Brushed Brass Finish
35" w x 7 ½" h x 8 ½" ext.
4 Light, 60W Med. Base
Clear Banded Glass

Westfield Manor Bath



A



B



C



D

A. 4891-685

1 Light Bath
Sand Coal with
Soft Brass Finish
6½" w x 8" h x 7¾" ext.
1 Light, 60W Med. Base
Clear Seeded Glass

B. 4892-685

2 Light Bath
Sand Coal with
Soft Brass Finish
15½" w x 8" h x 8¾" ext.
2 Light, 60W Med. Base
Clear Seeded Glass

C. 4893-685

3 Light Bath
Sand Coal with
Soft Brass Finish
24½" w x 8" h x 8¾" ext.
3 Light, 60W Med. Base
Clear Seeded Glass

D. 4894-685

4 Light Bath
Sand Coal with
Soft Brass Finish
33½" w x 8" h x 8¾" ext.
4 Light, 60W Med. Base
Clear Seeded Glass

Monico Bath



A



B



C



D



A. 3361-572

1 Light Bath
Coal and Polished
Nickel Finish
6 1/2" w x 10 1/2" h x 9 1/2" ext
1 Light, 100W Med Base
Clear Seeded Glass

B. 3362-572

2 Light Bath
Coal and Polished
Nickel Finish
16 1/2" w x 10 1/2" h x 9 1/2" ext
2 Light, 100W Med Base
Clear Seeded Glass

C. 3363-572

3 Light Bath
Coal and Polished
Nickel Finish
26" w x 10 1/2" h x 9 1/2" ext
3 Light, 100W Med Base
Clear Seeded Glass

D. 3364-572

4 Light Bath
Coal and Polished
Nickel Finish
35 3/4" w x 10 1/2" h x 9 1/2" ext
4 Light, 100W Med Base
Clear Seeded Glass



A. 3361-416

1 Light Bath
 Painted Bronze with
 Natural Brushed Brass Finish
 6 1/2" w x 10 1/2" h x 9 1/2" Ext
 1 Light, 100W Med Base
 Clear Seeded Glass

B. 3362-416

2 Light Bath
 Painted Bronze with
 Natural Brushed Brass Finish
 16 1/2" w x 10 1/2" h x 9 1/2" Ext
 2 Light, 100W Med Base
 Clear Seeded Glass

C. 3363-416

3 Light Bath
 Painted Bronze with
 Natural Brushed Brass Finish
 26" w x 10 1/2" h x 9 1/2" Ext
 3 Light, 100W Med Base
 Clear Seeded Glass

D. 3364-416

4 Light Bath
 Painted Bronze with
 Natural Brushed Brass Finish
 35 3/4" w x 10 1/2" h x 9 1/2" ext
 4 Light, 100W Med Base
 Clear Seeded Glass



Tiberia Bath



A. 2271-84B

1 Light Bath
Pewter Finish
5" w x 10½" h x 5¾" ext.
1 Light, 60W Cand. Base
Clear Glass

B. 2272-84B

2 Light Bath
Pewter Finish
13¼" w x 9" h x 5¾" ext.
2 Light, 60W Cand. Base
Clear Glass

C. 2273-84B

3 Light Bath
Pewter Finish
22" w x 9" h x 5¾" ext.
3 Light, 60W Cand. Base
Clear Glass

D. 2274-84B

4 Light Bath
Pewter Finish
30½" w x 9" h x 5¾" ext.
4 Light, 60W Cand. Base
Clear Glass



A



B



C



D

A. 2271-695

1 Light Bath
Soft Brass Finish
5" w x 10½" h x 5¾" ext.
1 Light, 60W Cand. Base
Clear Glass

B. 2272-695

2 Light Bath
Soft Brass Finish
13¼" w x 9" h x 5¾" ext.
2 Light, 60W Cand. Base
Clear Glass

C. 2273-695

3 Light Bath
Soft Brass Finish
22" w x 9" h x 5¾" ext.
3 Light, 60W Cand. Base
Clear Glass

D. 2274-695

4 Light Bath
Soft Brass Finish
30½" w x 9" h x 5¾" ext.
4 Light, 60W Cand. Base
Clear Glass

Chatham Square Bath



B



A



C



D

A. 2471-84

1 Light Bath
 Brushed Nickel Finish
 5½" w x 8¾" h x 7" ext.
 1 Light, 60W Med. Base
 Clear Seeded Glass

B. 2472-84

2 Light Bath
 Brushed Nickel Finish
 14½" w x 8¾" h x 7" ext.
 2 Light, 60W Med. Base
 Clear Seeded Glass

C. 2473-84

3 Light Bath
 Brushed Nickel Finish
 23½" w x 8¾" h x 7" ext.
 3 Light, 60W Med. Base
 Clear Seeded Glass

D. 2474-84

4 Light Bath
 Brushed Nickel Finish
 32½" w x 8¾" h x 7" ext.
 4 Light, 60W Med. Base
 Clear Seeded Glass

Garrison Bath



A



B



C

A. 3341-098

1 Light Bath
Brushed Nickel with
Shale Wood Accents
5¼" w x 8½" h x 7" Ext
1 Light, 60W Med Base
Seeded Glass

B. 3342-098

2 Light Bath
Brushed Nickel with
Shale Wood Accents
15½" w x 8½" h x 7" Ext
2 Light, 60W Med Base
Seeded Glass

C. 3343-098

3 Light Bath
Brushed Nickel with
Shale Wood Accents
24" w x 8½" h x 7" Ext
3 Light, 60W Med Base
Seeded Glass

Plano Bath



A. 5721-77

1 Light Bath
Chrome Finish
6" w x 8½" h x 7" ext.
1 Light, 100W Med. Base
Clear Seeded Glass

B. 5722-77

2 Light Bath
Chrome Finish
15½" w x 8¼" h x 7" ext.
2 Light, 100W Med. Base
Clear Seeded Glass

C. 5723-77

3 Light Bath
Chrome Finish
23" w x 8¼" h x 7" ext.
3 Light, 100W Med. Base
Clear Seeded Glass

D. 5724-77

4 Light Bath
Chrome Finish
31½" w x 8¼" h x 7" ext.
4 Light, 100W Med. Base
Clear Seeded Glass

Garland Bath



A. 3411-84

1 Light Bath
Brushed Nickel Finish
5 3/8" w x 8 1/2" h x 7 1/4" ext.
1 Light, 100W Med. Base
Clear Seeded Glass

B. 3412-84

2 Light Bath
Brushed Nickel Finish
16" w x 8 1/2" h x 7 1/4" ext.
2 Light, 100W Med. Base
Clear Seeded Glass

C. 3413-84

3 Light Bath
Brushed Nickel Finish
24" w x 8 1/2" h x 7 1/4" ext.
3 Light, 100W Med. Base
Clear Seeded Glass

D. 3414-84

4 Light Bath
Brushed Nickel Finish
31 1/2" w x 8 1/2" h x 7 1/4" ext.
4 Light, 100W Med. Base
Clear Seeded Glass

Downtown Edison Bath



Can be installed vertically or horizontally



A



B



C

A. 5130-84

Wall Sconce
Brushed Nickel Finish
6¼" w x 5" h x 4¾" ext.
2 Light, 40W Med. Base

B. 5135-84

3 Light Bath
Brushed Nickel Finish
14½" w x 4½" h x 4¾" ext.
3 Light, 40W Med. Base

C. 5136-84

5 Light Bath
Brushed Nickel Finish
27½" w x 4½" h x 4¾" ext.
5 Light, 40W Med. Base



A. 5132-84

2 Light Bath
Brushed Nickel Finish
18½" w x 10½" h x 10½" ext.
2 Light, 60W Med. Base
Clear Glass

B. 5133-84

3 Light Bath
Brushed Nickel Finish
28½" w x 10½" h x 10½" ext.
3 Light, 60W Med. Base
Clear Glass

C. 5134-84

4 Light Bath
Brushed Nickel Finish
38½" w x 10½" h x 10½" ext.
4 Light, 60W Med. Base
Clear Glass

Austin Bath



B



A



C



D

A. 4531-613

1 Light Bath
Polished Nickel Finish
4½" w x 7½" h x 5¾" ext.
1 Light, 100W Med. Base
Clear Glass with
Etched White Inside

B. 4532-613

2 Light Bath
Polished Nickel Finish
13½" w x 7¼" h x 6¾" ext.
2 Light, 100W Med. Base
Clear Glass with
Etched White Inside

C. 4533-613

3 Light Bath
Polished Nickel Finish
23½" w x 7¼" h x 6¾" ext.
3 Light, 100W Med. Base
Clear Glass with
Etched White Inside

D. 4534-613

4 Light Bath
Polished Nickel Finish
31¾" w x 7¼" h x 6¾" ext.
4 Light, 100W Med. Base
Clear Glass with
Etched White Inside



A



B



C



D



A. 4531-267B

1 Light Bath
Dark Brushed
Bronze Finish
4½" w x 7½" h x 5¾" ext.
1 Light, 100W Med. Base
Clear Glass with
Etched White Inside

B. 4532-267B

2 Light Bath
Dark Brushed
Bronze Finish
13½" w x 7¼" h x 6¾" ext.
2 Light, 100W Med. Base
Clear Glass with
Etched White Inside

C. 4533-267B

3 Light Bath
Dark Brushed
Bronze Finish
23½" w x 7¼" h x 6¾" ext.
3 Light, 100W Med. Base
Clear Glass with
Etched White Inside

D. 4534-267B

4 Light Bath
Dark Brushed
Bronze Finish
31¾" w x 7¼" h x 6¾" ext.
4 Light, 100W Med. Base
Clear Glass with
Etched White Inside

Culture Chic Bath



A. 4662-598

Wall Sconce
Catalina Silver Finish
6¾" w x 9¾" h x 4½" ext.
2 Light, 60W Cand. Base
Clear Ripple Glass
with Reflective Backplate

B. 4663-598

3 Light Bath
Catalina Silver Finish
18¾" w x 6¾" h x 4½" ext.
3 Light, 60W Cand. Base
Clear Ripple Glass
with Reflective Backplate

C. 4664-598

4 Light Bath
Catalina Silver Finish
24¾" w x 6¾" h x 4½" ext.
4 Light, 60W Cand. Base
Clear Ripple Glass
with Reflective Backplate

D. 4665-598

5 Light Bath
Catalina Silver Finish
30¾" w x 6¾" h x 4½" ext.
5 Light, 60W Cand. Base
Clear Ripple Glass
with Reflective Backplate

Hyllcastle Bath



Can be installed vertically or horizontally



6522-77

2 Light Bath
Chrome Finish
18" w x 5 1/4" h x 3 1/2" ext.
2 Light, 60W Med. Base
Inside Ribbed w/White Glass
ADA Compliant



6523-77

3 Light Bath
Chrome Finish
24" w x 5 1/4" h x 3 1/2" ext.
3 Light, 60W Med. Base
Inside Ribbed w/White Glass
ADA Compliant

Tournee Bath



A



B



C



A. 3002-77
 2 Light Bath
 Chrome Finish
 14¾" w x 7" h x 5½" ext.
 2 Light, 100W Med. Base
 Etched Opal Glass

B. 3003-77
 3 Light Bath
 Chrome Finish
 24" w x 7" h x 5½" ext.
 3 Light, 100W Med. Base
 Etched Opal Glass

C. 3004-77
 4 Light Bath
 Chrome Finish
 33½" w x 7" h x 5½" ext.
 4 Light, 100W Med. Base
 Etched Opal Glass



Davenport Bath



Can be installed vertically or horizontally



A



B



C

A. 6912-613

2 Light Bath
Polished Nickel Finish
4½" w x 16¾" h x 3¾" ext.
2 Light, 60W Med. Base
White Glass
ADA Compliant

B. 6913-613

3 Light Bath
Polished Nickel Finish
26" w x 4½" h x 3¾" ext.
3 Light, 60W Med. Base
White Glass
ADA Compliant

C. 6914-613

4 Light Bath
Polished Nickel Finish
37" w x 4½" h x 3¾" ext.
4 Light, 60W Med. Base
White Glass
ADA Compliant

City Square Bath



6540-77

Wall Sconce
 Chrome
 4¾" w x 13½" h x 43/8" ext.
 1 Light, 100W Med. Base
 Etched Opal Glass



A



B



C

A. 6542-77

2 Light Bath
 Chrome Finish
 12¼" w x 7" h x 5" ext.
 2 Light, 100W Med. Base
 Etched Opal Glass

B. 6543-77

3 Light Bath
 Chrome Finish
 20¾" w x 7" h x 5" ext.
 3 Light, 100W Med. Base
 Etched Opal Glass

C. 6544-77

4 Light Bath
 Chrome Finish
 29¼" w x 7" h x 5" ext.
 4 Light, 100W Med. Base
 Etched Opal Glass



Audrey's Point Bath



A



B



C

A. 3291-613

1 Light Bath
Polished Nickel Finish
5¼" w x 10¾" h x 6¾" ext.
1 Light, 100W Med. Base
Etched Opal Glass

B. 3292-613

2 Light Bath
Polished Nickel Finish
15" w x 8½" h x 7½" ext.
2 Light, 100W Med. Base
Etched Opal Glass

C. 3293-613

3 Light Bath
Polished Nickel Finish
22¼" w x 8½" h x 7½" ext.
3 Light, 100W Med. Base
Etched Opal Glass

Mission Ridge Bath



A. 5582-84

2 Light Bath
Brushed Nickel Finish
19½" w x 7¾" h x 8½" ext.
2 Light, 100W Med. Base
Etched Glass

B. 5583-84

3 Light Bath
Brushed Nickel Finish
25½" w x 7¾" h x 8½" ext.
3 Light, 100W Med. Base
Etched Glass

C. 5584-84

4 Light Bath
Brushed Nickel Finish
33½" w x 7¾" h x 8½" ext.
4 Light, 100W Med. Base
Etched Glass



Caselmara Bath



A



B



C



D

A. 3241-77

1 Light Bath
Chrome with
Natural Shell Finish
5" w x 8 1/4" h x 6" ext.
1 Light, 100W Med. Base
Etched Opal Glass with
Eidolon Krystal™ Accent

B. 3242-77

2 Light Bath
Chrome with
Natural Shell Finish
17 1/4" w x 8 1/4" h x 6" ext.
2 Light, 100W Med. Base
Etched Opal Glass with
Eidolon Krystal™ Accents

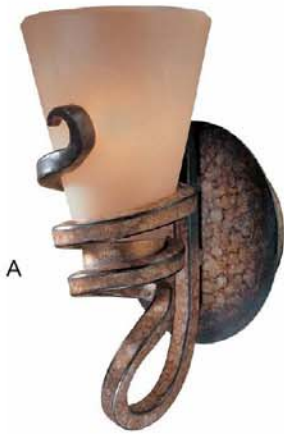
C. 3243-77

3 Light Bath
Chrome with
Natural Shell Finish
25 1/2" w x 8 1/4" h x 6" ext.
3 Light, 100W Med. Base
Etched Opal Glass with
Eidolon Krystal™ Accents

D. 3244-77

4 Light Bath
Chrome with
Natural Shell Finish
34" w x 8 1/4" h x 6" ext.
4 Light, 100W Med. Base
Etched Opal Glass with
Eidolon Krystal™ Accents

Tofino Bath



A



6767-211

Wall Sconce
Tofino Bronze™ Finish
8½" w x 15" h x 4¾" ext.
1 Light, 100W Med. Base
Marbre Grabar™ Glass



6765-211

Wall Sconce
Tofino Bronze™
6" w x 28" h x 7½" ext.
1 Light, 100W Med. Base
Marbre Grabar™ Glass



B



A. 6761-211

1 Light Bath
Tofino Bronze™ Finish
6" w x 12½" h x 8" ext.
1 Light, 100W Med. Base
Marbre Grabar™ Glass

B. 6762-211

2 Light Bath
Tofino Bronze™ Finish
14" w x 12½" h x 8" ext.
2 Light, 100W Med. Base
Marbre Grabar™ Glass

C. 6763-211

3 Light Bath
Tofino Bronze™ Finish
23¼" w x 12½" h x 8" ext.
3 Light, 100W Med. Base
Marbre Grabar™ Glass



Lucero Bath



A



B



C



D



A. 5761-2560-84

1 Light Bath
Brushed Nickel Finish
5" w x 11¼" h x 7½" ext.
1 Light, 100W Med. Base
Etched/Clear Glass

B. 5762-2560-84

2 Light Bath
Brushed Nickel Finish
18¾" w x 9¼" h x 9" ext.
2 Light, 100W Med. Base
Etched/Clear Glass

C. 5763-2560-84

3 Light Bath
Brushed Nickel Finish
25½" w x 9¼" h x 9" ext.
3 Light, 100W Med. Base
Etched/Clear Glass

D. 5764-2560-84

4 Light Bath
Brushed Nickel Finish
33¼" w x 9¼" h x 9" ext.
4 Light, 100W Med. Base
Etched/Clear Glass





———— Minka Lavery ————
COLLECTION



MLC LED Mirrors

Mirrors should always be surrounded by the very best illumination. Our LED mirror collection puts the light IN the mirror, providing both a high lumen output with the modern edge you've come to expect from a Minka Group® Company. Nightlight On/Off switch maximizes sleek LED form and function.



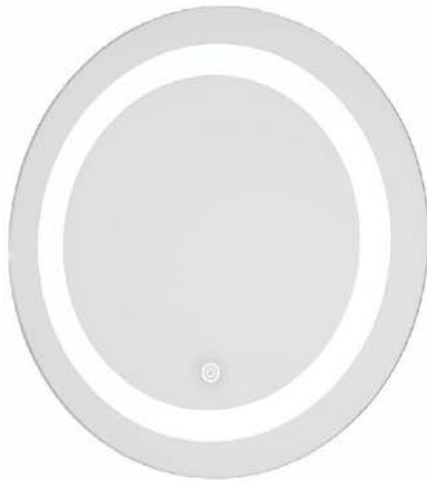
P6107

LED Mirror
with Night Light On/Off Switch
19¾" w x 27½" h x 1¾" ext.
20W LED
178 Lumens
ADA Compliant



P6109

LED Mirror - Beveled
with Night Light On/Off Switch
24" w x 32" h x 2" ext.
22W LED
775 Lumens
ADA Compliant



P6105

LED Mirror
with Night Light On/Off Switch
17¾" d x 2" ext.
11W LED
131 Lumens
ADA Compliant



P6108

LED Mirror
with Night Light On/Off Switch
22¾" w x 31½" h x 2" ext.
21W LED
1013 Lumens
ADA Compliant

MLC Beveled Mirrors

1430-84

Mirror - Beveled
Brushed Nickel Finish
24"w x 33"h x 1½"ext.



1430-66A

Mirror - Beveled
Coal Finish
24"w x 33"h x 1½"ext.

MLC Pivoting Mirrors



1440-84
 Rectangle Mirror - Beveled
 Brushed Nickel Finish
 23½" w x 24¼" h x 3¾" ext.



1440-267
 Rectangle Mirror - Beveled
 Dark Brushed Bronze Finish
 23½" w x 24¼" h x 3¾" ext.



1440-77
 Rectangle Mirror - Beveled
 Chrome Finish
 23½" w x 24¼" h x 3¾" ext.



1441-84
 XL Rectangle Mirror - Beveled
 Brushed Nickel Finish
 29½" w x 30¼" h x 3¾" ext.



1441-267
 XL Rectangle Mirror - Beveled
 Dark Brushed Bronze Finish
 29½" w x 30¼" h x 3¾" ext.



1441-77
 XL Rectangle Mirror - Beveled
 Chrome Finish
 29½" w x 30¼" h x 3¾" ext.



1432-84

XL Oval Mirror - Beveled
Brushed Nickel Finish
27"w x 35¾"h x 3½"ext.



1432-267

XL Oval Mirror - Beveled
Dark Brushed Bronze Finish
27"w x 35¾"h x 3½"ext.



1432-77

XL Oval Mirror - Beveled
Chrome Finish
27"w x 35¾"h x 3½"ext.



1431-77

Oval Mirror - Beveled
Chrome Finish
25"w x 24½"h x 3¾"ext.



1431-84

Oval Mirror - Beveled
Brushed Nickel Finish
25"w x 24½"h x 3¾"ext.



1433-84

Large Oval Mirror - Beveled
Brushed Nickel Finish
31"w x 31½"h x 3¾"ext.

1433-77

Large Oval Mirror - Beveled
Chrome Finish
31"w x 31½"h x 3¾"ext.

MLC Mini Chandeliers



3122-301

Castlewood Walnut™ Finish
with Silver Highlights
13¼"dia. x 18¼"h
3 Light, 60W Cand. Base



3138-284

Vintage Bronze Finish
11½"dia. x 16½"h
3 Light, 60W Cand. Base



3121-333

Westport Silver™ Finish
11"dia. x 16¼"h
1 Light, 60W Cand. Base



3123-489

Taylor Bronze™ Finish
12½"dia. x 20"h
1 Light, 60W Med. Base



3127-126

Belcaro Walnut™ Finish
12½"dia. x 16"h
4 Light, 60W Cand. Base



3159-77

Chrome Finish
14"dia. x 22"h
7 Light, 60W Cand. Base



3154-648

Provencal Blanc Finish
17¾"dia. x 22¼"h
3 Light
60W Cand. Base



3153-599

Vintage Silver Finish
16½"dia. x 23¼"h
3 Light
60W Cand. Base

MLC Pendants

3297-613

Polished Nickel Finish
15½"dia. x 17½"h
3 Light, 60W Cand. Base
Clear Glass
(Convertible to Semi Flush)



3298-613

Polished Nickel Finish
19¾"dia. x 30¼"h
4 Light, 60W Cand. Base
Clear Glass
(Convertible to Semi Flush)



2321-84

Brushed Nickel Finish
8¼"dia. x 16"h
1 Light, 100W Med. Base
Clear Ribbed Glass



2323-84

Brushed Nickel Finish
11¼"dia. x 21"h
3 Light, 60W Cand. Base
Clear Ribbed Glass



2291-613

Polished Nickel Finish
15½"dia. x 24"h
3 Light, 60W Cand. Base
Clear Glass



2290-613

Polished Nickel Finish
12"dia. x 20"h
3 Light, 60W Cand. Base
Clear Glass



MLC Pendants

2332-77

Convertible to Semi Flush

Chrome Finish
10 $\frac{1}{4}$ "dia. x 13 $\frac{3}{4}$ "h
1 Light, 100W Med. Base
Clear Glass



2260-84

Brushed Nickel Finish
12 $\frac{1}{4}$ "dia. x 11 $\frac{1}{2}$ "h
1 Light, 40W Med. Base
Clear Glass



2258-576

Brushed Bronze Finish
17 $\frac{1}{4}$ "dia. x 13 $\frac{1}{4}$ "h
1 Light, 150W Med. Base
Opal School House Glass



2256-576

Brushed Bronze Finish
13 $\frac{3}{4}$ "dia. x 12 $\frac{1}{4}$ "h
1 Light, 150W Med. Base
Opal School House Glass



2256-613

Polished Nickel Finish
13 $\frac{3}{4}$ "dia. x 12 $\frac{1}{4}$ "h
1 Light, 150W Med. Base
Opal School House Glass



2254-576

Brushed Bronze Finish
12"dia. x 10 $\frac{3}{4}$ "h
1 Light, 150W Med. Base
Opal School House Glass



4355-593

Dark Rubbed Sienna Finish
with Aged Silver Highlights
26"dia. x 22"h
5 Light, 60W Cand. Base
Oatmeal Linen Shade



844-284

Vintage Bronze Finish
19"dia. x 16 $\frac{1}{4}$ "h
3 Light, 100W Med. Base
Off-White Linen Shade
White Acrylic Diffuser



2247-281

Harvard Court Bronze Finish
12"dia. x 11"h
1 Light, 150W Med. Base
Ribbed Metal Shade



2247-613

Polished Nickel Finish
12"dia. x 11"h
1 Light, 150W Med. Base
Ribbed Metal Shade



2246-281

Harvard Court Bronze Finish
9"dia. x 11"h
1 Light, 100W Med. Base
Ribbed Metal Shade



2246-613

Polished Nickel Finish
9"dia. x 11"h
1 Light, 100W Med. Base
Ribbed Metal Shade



2244-267C

Dark Brushed Bronze Finish
6¾"dia. x 8"h
1 Light, 100W Med. Base
Clear Seeded Glass



2244-77

Chrome Finish
6¾"dia. x 8"h
1 Light, 100W Med. Base
Clear Seeded Glass



2242-267C

Dark Brushed Bronze Finish
8"dia. x 8¾"h
1 Light, 100W Med. Base
Ribbed Clear Glass



4130-84

Brushed Nickel Finish
8½"dia. x 10¼"h
1 Light, 60W Med. Base
Clear Glass



MLC Mini Pendants

4361-281

Harvard Court Bronze Finish
 6¼" w x 12½" h x 3½" ext.
 1 Light, 60W Med. Base
 Clear & Etched Opal Glass



4931-284

Vintage Bronze Finish
 6" dia. x 10¼" h
 1 Light, 100W Med. Base
 Etched White Glass



1181-357

Iron Oxide Finish
 5¼" dia. x 5¾" h
 1 Light, 100W Med. Base
 Venetian Scavo Glass



1761-211

Tofino Bronze™ Finish
 5¾" dia. x 12¾" h
 1 Light, 100W Med. Base
 Marbre Graber™ Glass



63-84

Brushed Nickel Finish
 3¾" dia. x 11" h
 1 Light, 60W Med. Base
 Etched Opal Glass



62-84

Brushed Nickel Finish
 2¾" dia. x 14½" h
 1 Light, 60W Med. Base
 Etched Opal Glass



MLC Wall Sconces



341-84

Brushed Nickel Finish
6¾" w x 17¼" h x 4" ext.
2 Light, 100W Med. Base
White Glass
ADA Compliant



341-248

Honey Gold Finish
6½" w x 17¼" h x 4" ext.
2 Light, 100W Med. Base
White Glass
ADA Compliant



341-172

Smoked Iron Finish
6½" w x 17¼" h x 4" ext.
2 Light, 100W Med. Base
White Glass
ADA Compliant



341-357

Iron Oxide Finish
6½" w x 17¼" h x 4" ext.
2 Light, 100W Med. Base
White Glass
ADA Compliant



342-84

Brushed Nickel Finish
6¾" w x 10" h x 4" ext.
1 Light, 100W Med. Base
White Glass
ADA Compliant



342-248

Honey Gold Finish
6½" w x 10" h x 4" ext.
1 Light, 100W Med. Base
White Glass
ADA Compliant



342-172

Smoked Iron Finish
6½" w x 10" h x 4" ext.
1 Light, 100W Med. Base
White Glass
ADA Compliant



342-357

Iron Oxide Finish
6¾" w x 10" h x 4" ext.
1 Light, 100W Med. Base
White Glass
ADA Compliant



9803-143

Oil Rubbed Bronze Finish
8" w x 20" h x 4½" ext.
2 Light, 60W Med. Base
Etched Opal Glass
OPEN BOTTOM

MLC Wall Sconces



9803-144

Brushed Stainless Steel Finish
8" w x 20" h x 4 1/2" ext.
2 Light, 60W Med. Base
Etched Opal Glass
OPEN BOTTOM



9802-143-L

Oil Rubbed Bronze Finish
7 3/4" w x 12" h x 4 1/2" ext.
19W LED
723 Lumens
Etched Opal Glass



9802-144-L

Brushed Stainless Steel Finish
7 3/4" w x 12" h x 4 1/2" ext.
19W LED
723 Lumens
Etched Opal Glass



9802-143

Oil Rubbed Bronze Finish
7 3/4" w x 12 1/4" h x 4 1/2" ext.
2 Light, 60W Med. Base
Etched Opal Glass
OPEN BOTTOM



9802-144

Brushed Stainless Steel Finish
7 3/4" w x 12 1/4" h x 4 1/2" ext.
2 Light, 60W Med. Base
Etched Opal Glass
OPEN BOTTOM



9801-143-L

Oil Rubbed Bronze Finish
7" w x 9 1/2" h x 4" ext.
14W LED
333 Lumens
Etched Opal Glass
ADA Compliant



9801-144-L

Brushed Stainless Steel Finish
7" w x 9 1/2" h x 4" ext.
14W LED
333 Lumens
Etched Opal Glass
ADA Compliant



9801-143

Oil Rubbed Bronze Finish
7" w x 9 1/2" h x 4" ext.
1 Light, 60W Med. Base
Etched Opal Glass
ADA Compliant
OPEN BOTTOM



9801-144

Brushed Stainless Finish
7" w x 9 1/2" h x 4" ext.
1 Light, 60W Med. Base
Etched Opal Glass
ADA Compliant
OPEN BOTTOM



345-37B

Dark Restoration Bronze™ Finish
8" w x 12" h x 4" ext.
2 Light, 60W Med. Base
French Scavo Glass
ADA Compliant



348-37B

Dark Restoration Bronze™ Finish
7¼" w x 9½" h x 4" ext.
1 Light, 60W Med. Base
French Scavo Glass
ADA Compliant



6231-288

Deep Flax Bronze Finish
7½" w x 11¾" h x 4" ext.
2 Light, 60W Med. Base
Venata de Oro Glass
ADA Compliant

© Minka Lighting, Inc.



1975-1-138

Aspen Bronze™ Finish
9½" w x 18½" h x 5¾" ext.
2 Light, 100W Med. Base
Rustic Scavo Glass



1974-1-138

Aspen Bronze™ Finish
6" w x 9¼" h x 4½" ext.
1 Light, 60W Cand. Base
Rustic Scavo Glass



1972-138

Aspen Bronze™ Finish
9¼" w x 12½" h x 5¼" ext.
1 Light, 100W Med. Base
Rustic Scavo Glass



346-14

Nutmeg™ Finish
7¾" w x 11" h x 3¾" ext.
2 Light, 60W Med. Base
Etched Marble Glass
ADA Compliant



734-355

Golden Bronze Finish
8½" w x 11" h x 4½" ext.
1 Light, 100W Med. Base
Caspian™ Glass



6460-84

Brushed Nickel Finish
7¾" w x 12¼" h x 4" ext.
1 Light, 100W Med. Base
Etched Opal Glass
ADA Compliant

MLC Wall Sconces



6212-84

Brushed Nickel Finish
4½" w x 13½" h x 5" ext.
2 Light, 60W Med. Base
Etched Opal Glass



6212-77

Chrome Finish
4½" w x 13½" h x 5" ext.
2 Light, 60W Med. Base
Etched Opal Glass



6212-647

Copper Bronze Patina
4½" w x 13½" h x 5" ext.
2 Light, 60W Med. Base
Etched Opal Glass



4462-273

Aged Patina Iron Finish
with Travertine Stone
4¼" w x 18½" h x 5½" ext.
2 Light, 60W Med. Base
Etched Opal Glass



4462-84

Brushed Nickel Finish
4¼" w x 18½" h x 5½" ext.
2 Light, 60W Med. Base
Etched Opal Glass



4462-647

Copper Bronze Patina
4¼" w x 18½" h x 5½" ext.
2 Light, 60W Med. Base
Etched Opal Glass



4460-273

Aged Patina Iron Finish
with Travertine Stone
4¼" w x 15¼" h x 4" ext.
1 Light, 60W Med. Base
Etched Opal Glass
ADA Compliant



4460-647

Copper Bronze Patina
4¼" w x 15¼" h x 4" ext.
1 Light, 60W Med. Base
Etched Opal Glass
ADA Compliant



4460-84

Brushed Nickel Finish
4¼" w x 15¼" h x 4" ext.
1 Light, 60W Med. Base
Etched Opal Glass
ADA Compliant





5500-77-L

Chrome Finish
4¾" w x 13" h x 4¼" ext.
15W LED
676 Lumens
Etched White Glass



5501-281-L

Harvard Court Bronze Finish
4¾" w x 13" h x 4¼" ext.
15W LED
598 Lumens
Etched White Glass



5501-84-L

Brushed Nickel Finish
4¾" w x 13" h x 4¼" ext.
15W LED
598 Lumens
Etched White Glass



5501-77-L

Chrome Finish
4¾" w x 13" h x 4¼" ext.
15W LED
598 Lumens
Etched White Glass



5500-84-L

Brushed Nickel Finish
4¾" w x 13" h x 4¼" ext.
15W LED
676 Lumens
Etched White Glass



5500-281-L

Harvard Court Bronze Finish
4¾" w x 13" h x 4¼" ext.
15W LED
676 Lumens
Etched White Glass



71162-84

Brushed Nickel Finish
8½" w x 13" h x 12½" ext.
1 Light, 60W Med. Base
Clear Glass



71163-143C

Oil Rubbed Bronze Finish
with Gold Highlights
8½" w x 13" h x 11½" ext.
1 Light, 100W Med. Base
Clear Glass



71163-A144

Brushed Aluminum Finish
8½" w x 13" h x 11½" ext.
1 Light, 100W Med. Base
Clear Glass



MLC Wall Sconces



350

White Ceramic
12½" w x 5½" h x 6" ext.
1 Light, 100W Med. Base



333

Alabaster Dust™ Finish
9¼" w x 12¼" h x 4" ext.
1 Light, 60W Cand. Base
ADA Compliant



6211-77

Chrome Finish
4½" w x 7¾" h x 5" ext.
1 Light, 60W Med. Base
Etched Opal Glass



564-1

White Ceramic
8¼" w x 10" h x 5¼" ext.
1 Light, 100W Med. Base
CLOSED TOP



5200-290

Classic Oak Patina
12" w x 11½" h x 4" ext.
2 Light, 60W Cand. Base
Beige Fabric Shade
ADA Compliant



9836

White Ceramic
8" w x 9¼" h x 5" ext.
1 Light, 100W Med. Base
CLOSED TOP



971-138

Aspen Bronze™ Finish
8¼" w x 4¾" h x 5" ext.
1 Light, 60W Cand. Base
Rustic Scavo Glass



841-91

Antique Bronze Finish
12" w x 5¼" h x 6" ext.
1 Light, 100W Med. Base
Etched Marble Glass



1971-138

Aspen Bronze™ Finish
12¾" w x 6½" h x 6½" ext.
1 Light, 100W Med. Base
Rustic Scavo Glass



72400-615B-L

Dorian Bronze™ Finish
7" w x 4 3/4" h x 3 3/4" ext.
14W **LED**
396 Lumens
Metal Shade
ADA Compliant



72398-66-L

Sand Coal Finish
7 1/2" w x 5 3/4" h x 3" ext.
13W **LED**
350 Lumens
Metal Shade
ADA Compliant



72398-609-L

Silver Finish
7 1/2" w x 5 3/4" h x 3" ext.
13W **LED**
350 Lumens
Metal Shade
ADA Compliant



72502-A144-L

Brushed Aluminum Finish
5" w x 14 1/2" h x 4" ext.
2-13W **LED**
610 Lumens
Metal Shade
ADA Compliant
OPEN TOP



72502-615B-L

Dorian Bronze™ Finish
5" w x 14 1/2" h x 4" ext.
2-13W **LED**
610 Lumens
Metal Shade
ADA Compliant
OPEN TOP



72399-615B-L

Dorian Bronze™ Finish
7 1/2" w x 14 1/2" h x 3 3/4" ext.
2-14W **LED**
710 Lumens
Rain Glass
ADA Compliant
OPEN TOP



72501-A144-L

Brushed Aluminum Finish
5" w x 7 3/4" h x 4" ext.
1-13W **LED**
320 Lumens
Metal Shade
ADA Compliant
OPEN TOP



72501-615B-L

Dorian Bronze™ Finish
5" w x 7 3/4" h x 4" ext.
1-13W **LED**
320 Lumens
Metal Shade
ADA Compliant
OPEN TOP



MLC Wall Sconces/Bath



4601-101

1 Light Bath
Iron Ore
with Gold Dust Highlights
5" w x 11" h x 4 3/4" ext.
1 Light, 60W Med. Base
Clear Ribbed Glass



4600-101

Wall Sconce
Iron Ore
with Gold Dust Highlights
4 3/4" w x 18" h x 5 1/2" ext.
1 Light, 60W Med. Base
Clear Ribbed Glass



6461-273

1 Light Bath
Aged Patina Iron with
Travertine Stone Finish
5 1/2" w x 5 1/2" h x 5 1/2" ext.
1 Light, 75W Mini-Can. Xenon (Incl.)
Etched Opal Glass



3352-84

2 Light Bath
Brushed Nickel Finish
15 1/2" w x 9" h x 7 1/4" Ext
2 light, 60w Med Base
Clear Glass





391-613-L

LED Bath
 Polished Nickel Finish
 5" w x 12½" h x 4½" ext.
 15W **LED**
 528 Lumens+ CRI
 Etched Opal Glass



392-613-L

LED Bath
 Polished Nickel Finish
 24½" w x 5" h x 4" ext.
 30W **LED**
 976 Lumens + CRI
 Etched Opal Glass
 ADA Compliant



Can be installed vertically
 or horizontally



Detail



Can be installed vertically
 or horizontally

241-420-L

LED Bath
 Brushed Nickel Finish
 with Sand Coal Highlights
 24" w x 5" h x 5" ext.
 30W **LED** Incl.
 White Glass



Detail



Can be installed vertically
 or horizontally

231-613-L

LED Bath
 Polished Nickel Finish
 24¼" w x 4¾" h x 4¼" ext.
 30W **LED** Incl.
 Etched Opal Glass

MLC Semi Flush Mounts



4499-298

Aged Kinston Bronze Finish
18"dia. x 11½"h
3 Light, 60W Med. Base
Beige Linen Shade with
Interior Etched Opal Glass



4932-284

Vintage Bronze Finish
17¼"dia. x 12½"h
3 Light, 100W Med. Base
Etched White Glass



3296-613

Polished Nickel Finish
17¼"dia. x 14¼"h
4 Light, 60W Cand. Base



4434-252

Nanti Champagne Silver Finish
17"dia. x 12¼"h
4 Light, 60W Cand. Base
Gossamer Gold Shade



4134-84

Brushed Nickel Finish
19"dia. x 11"h
4 Light, 40W Med. Base
Mesh Metal Shade



4951-267B

Dark Brushed Bronze
15"dia. x 9¾"h
3 Light, 100W Med. Base
White Fabric Shade
White Glass Diffuser



4942-570

Dark Noble Bronze™
15"dia. x 10¼"h
3 Light, 100W Med. Base
Etched White Glass
Clear Glass Accent



2259-613

Polished Nickel Finish
17¼"dia. x 15½"h
1 Light, 150W Med. Base
Opal School House Glass



2257-613

Polished Nickel Finish
13¾"dia. x 14½"h
1 Light, 150W Med. Base
Opal School House Glass



2255-613

Polished Nickel Finish
12"dia. x 11¼"h
1 Light, 150W Med. Base
Opal School House Glass



2259-576

Brushed Bronze Finish
17¼"dia. x 15½"h
1 Light, 150W Med. Base
Opal School House Glass



2257-576

Brushed Bronze Finish
13¾"dia. x 14½"h
1 Light, 150W Med. Base
Opal School House Glass



2255-576

Brushed Bronze Finish
12"dia. x 11¼"h
1 Light, 150W Med. Base
Opal School House Glass



MLC LED Flush Mounts

20"



6917-249-L

Liberty Gold Finish
20"l x 20"w x 6¼"h
45W LED
2114 Lumens
White Glass



6917-84-L

Brushed Nickel Finish
LED



6917-77-L

Chrome Finish
LED



6917-281-L

Harvard Court Bronze Finish
LED

16"



6918-84-L

Brushed Nickel Finish
16"l x 16"w x 6"h
30W L LED
1426 Lumens
White Glass



6918-249-L

Liberty Gold Finish
LED



6918-281-L

Harvard Court Bronze Finish
LED



6918-77-L

Chrome Finish
LED

1824-281-L

Harvard Court Bronze Finish
22"dia. x 7½"h
45W LED
2847 Lumens
Etched White Glass
Frosted White Diffuser



22"



1824-613-L

Polished Nickel Finish
LED



1824-249-L

Liberty Gold Finish
LED

824-613-L

Polished Nickel Finish
16¼"dia. x 5¾"h
30W LED
1634 Lumens
Etched White Glass
Frosted White Diffuser



16"



824-249-L

Liberty Gold Finish
LED



824-281-L

Harvard Court Bronze Finish
LED

MLC LED Flush Mounts

20"



1827-77-L

Chrome Finish
20¼"dia. x 6"h
3311 Lumens, 49W LED
Etched White Glass



1827-84-L

Brushed Nickel Finish
LED



1827-249-L

Liberty Gold Finish
LED



1827-103-L

Harvard Court Bronze Finish with
Liberty Gold Highlights
LED

15"



827-249-L

Liberty Gold Finish
15½"dia. x 5½"h
1945 Lumens, 32W LED
Etched White Glass
LED



827-77-L

Chrome Finish
LED



827-84-L

Brushed Nickel Finish
LED



827-103-L

Harvard Court Bronze Finish
with Liberty Gold Highlights
LED

1826-613-L

Polished Nickel Finish
20" dia. x 6" h
2842, 45W LED
Etched White Glass



20"



1826-249-L

Liberty Gold Finish
LED

826-281-L

Harvard Court Bronze Finish
16" dia. x 6 1/4" h
1899 Lumens, 32W LED
Etched White Glass



16"



826-613-L

Polished Nickel Finish
LED



826-249-L

Liberty Gold Finish
LED

MLC LED Flush Mounts

20"



1845-84-L

Brushed Nickel Finish
20"dia. x 6¾"h
2351 Lumens, 45W **LED**
White Linen Shade
Frosted White Diffuser

1845-108-L

Polished Satin Brass Finish
LED



17"



845-108-L

Polished Satin Brass
17"dia. x 6½"h
1632 Lumens, 32W **LED**
White Linen Shade
Frosted White Diffuser

845-84-L

Brushed Nickel Finish
LED



1846-104-L

Dark Brushed Bronze
with Aged Brass Finish
20"dia. x 6¾"h
2185 Lumens, 49W **LED**
Frosted White Glass



20"



1846-105-L

Dark Gray with Polished
Nickel Finish
LED

846-105-L

Dark Gray with Polished
Nickel Finish
16"dia. x 6¾"h
1916 Lumens, 32W **LED**
Frosted White Glass



16"



846-104-L

Dark Brushed Bronze Finish
LED

MLC LED Flush Mounts

20"



1840-102-L

Harvard Court Bronze
with Pewter Finish
20"dia. x 6"h
2185 Lumens, 49W **LED**
Etched White Glass



1840-249-L

Liberty Gold Finish
LED

16"



840-249-L

Liberty Gold Finish
16"dia. x 6"h
1500 Lumens, 30W **LED**
Etched White Glass



840-102-L

Harvard Court Bronze Finish
LED



717-2-691-L

LED Flush Mount
Coal and Brushed Nickel Finish
15" Dia. x 3 3/4" H
1285 Lumens, 30W **LED**
Frosted Glass



717-1-691-L

LED Flush Mount
Coal and Brushed Nickel Finish
12 1/4" Dia. x 4" H
635 Lumens, 20W **LED**
Frosted Glass

MLC Flush Mounts



20"

6369-281

Harvard Court Bronze Finish
20" dia. x 7"h
5 Light, 60W Med. Base
Etched Opal Glass



6369-613

Polished Nickel Finish



6369-84

Brushed Nickel Finish



6369-249

Liberty Gold Finish



13"

4365-249

Liberty Gold Finish
13½" dia. x 6½"h
2 Light, 60W Med. Base
Etched Opal Glass



4365-66A

Coal Finish



4365-84

Brushed Nickel Finish



4365-281

Harvard Court Bronze Finish



4365-613

Polished Nickel Finish

MLC Flush Mounts



6368-249

Liberty Gold Finish
16"dia. x 7"h
3 Light, 60W Med. Base
Etched White Glass



6368-613

Polished Nickel Finish
16"dia. x 7"h
3 Light, 60W Med. Base
Etched White Glass



6368-84

Brushed Nickel Finish
16"dia. x 7"h
3 Light, 60W Med. Base
Etched White Glass



6368-281

Harvard Court Bronze Finish
16"dia. x 7"h
3 Light, 60W Med. Base
Etched White Glass



6919-249

Liberty Gold Finish
13"l x 13"w x 5½"h
2 Light, 60W Med. Base
White Glass



6919-613

Polished Nickel Finish
13"l x 13"w x 5½"h
2 Light, 60W Med. Base
Hinged Door
White Glass



6919-281

Harvard Court Bronze Finish
13"l x 13"w x 5½"h
2 Light, 60W Med. Base
White Glass



6919-84

Brushed Nickel Finish
13"l x 13"w x 5½"h
2 Light, 60W Med. Base
White Glass



6919-77

Chrome Finish
13"l x 13"w x 5½"h
2 Light, 60W Med. Base
White Glass



823-66A

Coal Finish
13 1/4" dia. x 4 3/4" h
2 Light, 60W Med. Base
Clear Glass w/White Paint Inside



823-167

Lathan Bronze™ Finish
13 1/4" dia. x 4 3/4" h
2 Light, 60W Med. Base
Clear Glass w/White Paint Inside



4952-267B

Dark Brushed Bronze Finish
15" dia. x 5 3/4" h
2 Light, 60W Med. Base
White Fabric Shade
White Glass Diffuser



823-84

Brushed Nickel Finish
13 1/4" dia. x 4 3/4" h
2 Light, 60W Med. Base
Clear Glass w/White Paint Inside



823-77

Chrome Finish
13 1/4" dia. x 4 3/4" h
2 Light, 60W Med. Base
Clear Glass w/White Paint Inside



4133-84

Brushed Nickel Finish
15" dia. x 5 3/4" h
3 Light, 40W Med. Base
Mesh Metal Shade



800-196C

Tuscan Patina™ Finish
13" dia. x 7" h
2 Light, 60W Med. Base
Etched Marble with
Toned Edge Glass



1020-44-PL

Kitchen Fluorescent
White Finish
11" l x 11" w x 4" h
1 Light, F22W/T9C/G10 q
(Bulbs Not Incl.)
White Acrylic

Finishes



14
Nutmeg™



37B
Dark Restoration Bronze™



44
White



66A
Coal



77
Chrome (Plated)



84
Brushed Nickel



84B
Plated Pewter



66
Sand Coal



098
Brushed Nickel w/ Shale Wood



099
Aged Brass w/ Textured Iron



100
Sand Coal w/ Gold Leaf



101
Iron Ore w/ Gold Dust Highlights



102
Harvard Court Bronze w/ Pewter



104
Dark Brushed Bronze w/ Aged Brass



105
Dark Gray w/ Polished Nickel



106
Stone Grey w/ Brushed Nickel



107
Smoked Iron w/ Aged Gold



108
Polished Satin Brass



111
Dark Bronze w/ Mosaic Gold Interior



113
Harvard Court Bronze w/ Natural
Brushed Brass



91
Antique Bronze



138
Aspen Bronze™



143
Oil Rubbed Bronze



143C
Oil Rubbed Bronze w/
Gold Highlights



A144
Brushed Aluminum



167
Lathan Bronze™



167B
Deep Lathan Bronze™



172
Smoked Iron



177
Illuminati Bronze™



206
Aston Court Bronze™



211
Tofino Bronze™



244
Aged Stone

Finishes



248
Honey Gold



249
Liberty Gold



252
Nanti Champagne Silver



267
Dark Brushed Bronze (Plated)



267B
Dark Brushed Bronze



267C
Dark Brushed Bronze (Plated)



269
Kona Coal w/ Gold Highlights



271
Monarch Bronze



276
Florentine Silver



279
Midnight Gold



281
Harvard Court Bronze (Plated)



283
Aged Charcoal



284
Vintage Bronze



288
Deep Flax Bronze



298
Aged Kinston Bronze



301
Castlewood Walnut™ w/ Silver Highlights



357
Iron Oxide



416
Painted Bronze
w/ Natural Brushed Brass



420
Brushed Nickel
w/ Sand Coal Highlights



467
Sable Bronze Patina™



477
Florence Patina™



560
Aged Kinston Bronze
w/ Brushed Brass Highlights



570
Dark Noble Bronze™



571
il Terrace Gold Leaf



572
Matte Coal
w/ Polished Nickel Highlights



573
Patina Iron



575
Aged Brass



576
Brushed Bronze



579
Downton Bronze w/ Gold Highlights



581
Olympus Gold



582
Brio Gold



583
Polished Nickel w/Coal Highlights

Finishes



584
Champagne Gold



588
Harvard Court Bronze
w/ Gold Highlights



589
Lathan Bronze™ w/ Gold Highlights



593
Dark Rubbed Sienna w/ Aged Silver



598
Catalina Silver



613
Polished Nickel



615B
Dorian Bronze™



647
Copper Bronze Patina



648
Provencal Blanc



660
Aged Kinston Bronze
w/ Brass Highlights



784
Harvard Court Bronze w/ Pewter



126
Belcaro Walnut™

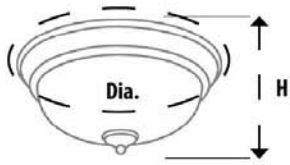
Finish Codes

14	Nutmeg™	288	Deep Flax Bronze
37B	Dark Restoration Bronze™	290	Classic Oak Patina
44	White	298	Aged Kinston Bronze
63	Nouveau Bronze™	299	Regents Patina
66A	Coal	301	Castlewood Walnut™ with Silver Highlights
66	Sand Coal	333	Westport Silver™
77	Chrome	355	Golden Bronze
84	Brushed Nickel	357	Iron Oxide
84B	Plated Pewter	416	Painted Bronze with Natural Brushed Brass Highlights
86	Textured White	420	Brushed Nickel with Sand Black Highlights
91	Antique Bronze	467	Sable Bronze Patina™
098	Brushed Nickel w/ Shale Wood	477	Florence Patina™
099	Aged Brass with Textured Iron	479	Regency Gilded Gold™
100	Sand Coal with Gold Leaf	489	Taylor Bronze™
101	Iron Ore with Gold Dust Highlights	560	Aged Kinston Bronze with Brushed Brass Highlights
102	Harvard Court Bronze with Pewter	561	Brompton Bronze
104	Dark Brushed Bronze with Aged Brass	562	Pierre Patina
105	Dark Gray with Polished Nickel	563	Rustique Patina
106	Stone Grey with Brushed Nickel	569	Malibu Gold
107	Smoked Iron with Aged Gold	570	Dark Noble Bronze™
108	Polished Satin Brass	571	il Terrace Gold Leaf
111	Dark Bronze with Mosaic Gold Interior	572	Matte Coal with Polished Nickel Highlights
113	Harvard Court Bronze w/ Natural Brushed Brass	573	Patina Iron
126	Belcaro Walnut™	575	Aged Brass
138	Aspen Bronze™	576	Brushed Bronze
143	Oil Rubbed Bronze	577	Artistic Bronze
143C	Oil Rubbed Bronze with Gold Highlights	579	Downton Bronze with Gold Highlights
144	Brushed Stainless Steel	580	Provence Patina
A144	Brushed Aluminum	581	Olympus Gold
156	Noble Bronze™	582	Brio Gold
167	Lathan Bronze™	583	Polished Nickel with Coal Highlights
167B	Deep Lathan Bronze™	584	Champagne Gold
172	Smoked Iron	588	Harvard Court Bronze with Gold Highlights
177	Illuminati Bronze™	589	Lathan Bronze™ with Gold Highlights
196C	Tuscan Patina™	592	St. James Gold
206	Aston Court Bronze™	593	Dark Rubbed Sienna with Aged Silver
207	Distressed Silver	594	Vintage Gold
209	Distressed Bronze	598	Catalina Silver
211	Tofino Bronze™	599	Vintage Silver
244	Aged Stone	613	Polished Nickel
248	Honey Gold	615B	Dorian Bronze™
249	Liberty Gold	647	Copper Bronze Patina
252	Nanti Champagne Silver	648	Provençal Blanc
267	Dark Brushed Bronze	660	Aged Kinston Bronze with Brass Highlights
267B	Dark Brushed Bronze	784	Harvard Court Bronze with Pewter
267C	Dark Brushed Bronze		
269	Kona Coal with Gold Highlights		
271	Monarch Bronze		
273	Aged Patina Iron with Travertine Stone		
276	Florentine Silver		
279	Midnight Gold		
281	Harvard Court Bronze		
283	Aged Charcoal		
284	Vintage Bronze		
287B	Sand Bronze with Gold Highlights		

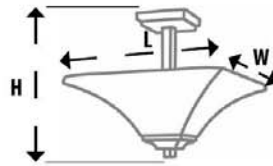
Bulb Chart

									
Watts: 10W / 20W XENON JCX 12V G4 BI-PIN BASE	Watts: 35W / 50W XENON JCX 12V GY6.35 BI-PIN BASE	Watts: 25W LED G9 110V G9 BASE	Watts: 25W / 35W / 40W / 60W / 75W G9 XENON 120V G9 BASE	Watts: 20W / 50W XENON 120V DC (BAYONET)	Watts: 75W XENON 120V E12 (CANDELABRA) BASE	Watts: 50W / 75W / 100W MINI-CAN XENON 120V E11 (CANDELABRA) BASE	Watts: 50W / 75W / 100W MINI-CAN HALOGEN 120V E11 (CANDELABRA) BASE		
Frosted JX4-20 (20W) Clear JX4C-10 (10W) JX4C-20 (20W)	Frosted JX6-35 (35W) JX6-50 (50W)	Frosted LED-G9	Frosted JX9-025 (25W) JX9-035 (35W) JX9-040 (45W) JX9-060 (60W) JX9-075 (75W) Clear JX9C-025 (25W) JX9C-040 (40W)	JXB15-20 (20W) JXB15-50 (50W)	Frosted JDXF-12-075 (75W)	Frosted JDX-050 (50W) JDX-75 (75W)	Frosted JDC-50 (50W) JDC-75 (75W) JDC-100 (100W) Clear JD-50 (50W) JD-75 (75W) JD-100 (100W)		
									
Watts: 50W JDD XENON 120V E12 (CANDELABRA) BASE	Watts: 100W / 150W 78MM 120V DOUBLE ENDED HALOGEN (J-TYPE) R7S BASE	Watts: 8W DC / 10W AC / 11W AC / 14W AC LED MODULE	Watts: 50W PAR16 HALOGEN E26 (MEDIUM) BASE	Watts: 35W / 50W HALOGEN MR16 120V GU10 BASE	Watts: 20W / 35W / 50W HALOGEN MR16 GX5.3 BI-PIN BASE				
Frosted JDX2F-050 (50W) Clear JDX2-050 (50W)	JB-100 (100W) JB-150 (150W)	L-L8-MD590 (8W) L-AC10-MODULE (10W) L-AC10-MD770 (11W) L-AC14-MD950 (14W)	PAR16-50 (50W)	JGU-035 (35W) JGU-50 (50W)	Frosted JMR16-20 (20W 120V) JMR16-35 (35W 120V) JMR16-50/120V (50W 120V) Clear JMR16-C-20 (20W 12V) JMR16-C-35 (35W 12V) JMR16-C-50 (50W 12V)				
									
Watts: 13W / 26W SPIRAL CFL E26 (MEDIUM) BASE	Watts: 13W / 26W SPIRAL CFL GU24 BASE	Watts: 18W / 26W SQUAT SPIRAL CFL GU24 BASE	Watts: 6W LED FERRO E26 (MEDIUM) BASE	Watts: 40W FERRO E26 (MEDIUM) BASE	Watts: 40W / 60W / 100W T10 120V E26 (MEDIUM) BASE	Watts: 60W T8 120V E12 (CANDELABRA) BASE	Watts: 27W FULL 24 CFL GX10q-4 BASE	Watts: 27W CFL GX10q-4 BASE	Watts: 13W 4-PIN (PL-C) G24q-1 BASE
FLB-13S (13W)	FLB-13M (13W) FLB-26M (26W)	FLS-18M (18W) FLS-26M (26W)	L-LB06-FW58 (6W)	E26-FW1910-40W (40W)	Frosted JT10-060F (60W) Clear JT10-040C (40W) JT10-060C (60W) JT10-100C (100W)	E12-FW1910-60W (60W)	JT4-27 (27W)	JT2-27 (27W)	FLT-13Q (13W)
									
Watts: 32W FC12T9 T9 CIRCULINE G10Q	Watts: 8W / 13W FLUORESCENT T5 G13 BI-PIN BASE	Watts: 7W C7 CFL E12 (CANDELABRA) BASE	Watts: 75W MR16 E17 BASE	Watts: 4W LED B10.5 E12 (CANDELABRA) BASE	Watts: 40W / 60W B10.5 E12 (CANDELABRA) BASE	Watts: 15W C7 E12 (CANDELABRA) BASE	Watts: 15W ECC8-15 (15W) E12 (CANDELABRA) BASE	Watts: 60W BR30 E26 (MEDIUM) BASE	
FLC-22 (22W) FLC-32 (32W) FLC-40 (40W)	Ballast: BLST08-T5 JT5-8 JT5-13	FLB-07C (7W)	JDR-75 (75W)	L-LB04C-E12 (4W)		ECC8-15 (15W)			
									
Watts: 40W / 60W A15 E26 (MEDIUM) BASE	Watts: 40W / 60W / 75W / 100W A19 E26 (MEDIUM) BASE	Watts: 150W A21 (3-WAY) E26 (MEDIUM) BASE	Watts: 25W / 40W / 60W G16 1/2 E12 (CANDELABRA) BASE	Watts: 60W / 100W G25 E26 (MEDIUM) BASE	Watts: 60W / 100W G30 E26 (MEDIUM) BASE	Watts: 40W / 60W / 100W G40 E26 (MEDIUM) BASE			

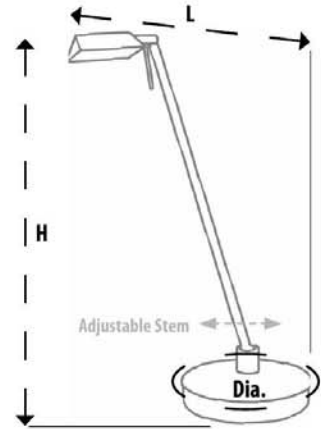
Measurement Specifications



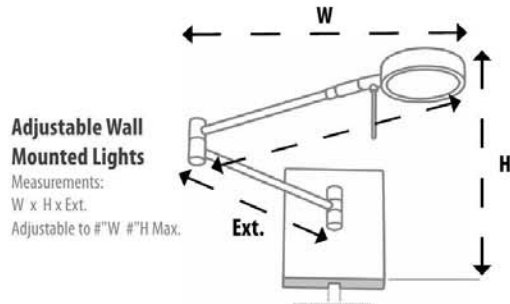
Ceiling Mount Lights
Measurements:
Dia. x H



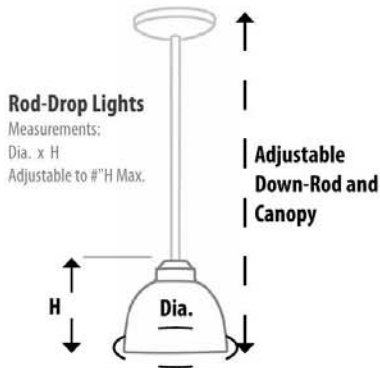
Ceiling Mount Lights
Measurements:
L x W x H



Adjustable Portable Lights
Measurements:
Dia. x H or L x W x H
Adjustable to # "L" # "H" Max.

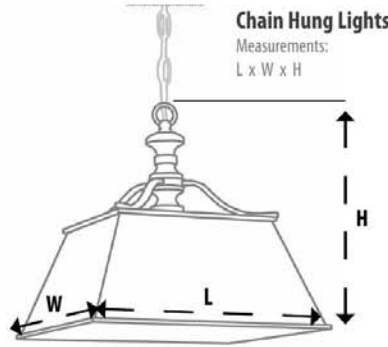


Adjustable Wall Mounted Lights
Measurements:
W x H x Ext.
Adjustable to # "W" # "H" Max.

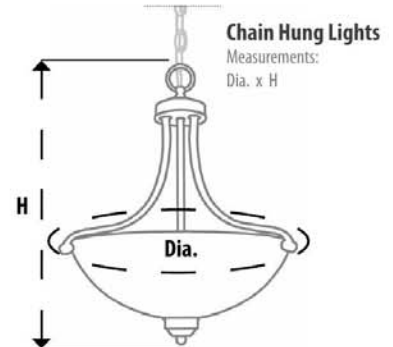


Rod-Drop Lights
Measurements:
Dia. x H
Adjustable to # "H" Max.

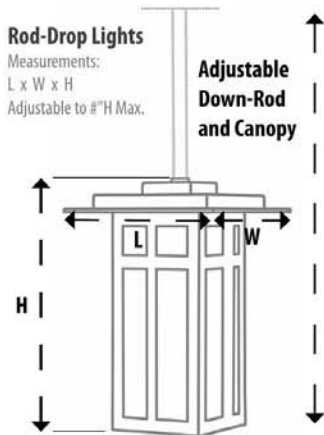
Adjustable
Down-Rod and
Canopy



Chain Hung Lights
Measurements:
L x W x H

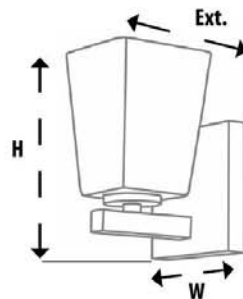


Chain Hung Lights
Measurements:
Dia. x H

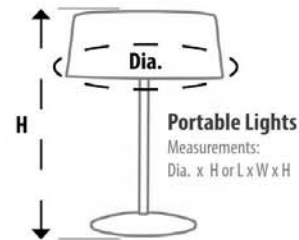


Rod-Drop Lights
Measurements:
L x W x H
Adjustable to # "H" Max.

Adjustable
Down-Rod and
Canopy



Wall Mounted Lights
Measurements:
W x H x Ext.



Portable Lights
Measurements:
Dia. x H or L x W x H

Warranty & Disclaimer

MINKA-LAVERY®

- Minka-Lavery® will warranty only product sold through authorized Minka-Lavery® dealers.
- All products depicted in this catalog, when properly installed, are UL or ETL Listed (portables excluded).
- Fixtures over 50 pounds must be supported independently of the outlet box. Consult a qualified electrician/installer.
- We strive to make sure each finish matches the colors which appear in this catalog; however, finishes may vary due to various chemical processes and the nature of hand applied finishes.
- We reserve the right to make design changes and modifications without prior notification.
- Size and finish specifications on all product in the catalog are subject to slight variations due to manufacturing processes. Photographs are close representations to the actual products.
- All product and glass are inspected before packing. However, due to variations in hand applied finishes, variations due to hand blown and seeded glass, and inconsistencies in natural materials, slight variations may occur that are acceptable and meet our quality control standards.
- All portables are California Title 20 compliant.
- Bulbs not included unless otherwise noted.
- Wattages stated are the maximum recommended; however, you may use lower wattage lamps to suit your lighting needs.
- All electrical products are rated as 120-volt, AC unless otherwise noted.

Many of the products in this catalog have the Energy Efficient logo. This identifies lighting that uses 2/3 less energy than conventional lighting and lasts 6 to 10 times longer.

WARRANTY - All products in this catalog, other than our LED fixtures which has a limited Power Supply warranty (Module, PC Board Diodes and Drivers) for three (3) years, are warranted to be free of defects in material and workmanship for one (1) year from date of purchase. This warranty is limited to the correction of any such defect, or the replacement of any such defective item, provided that: (a) item(s) was (were) purchased from an authorized Minka Group® distributor; (b) we are properly notified and consent to the return of the item(s) in question; (c) the item(s) is/are returned with proof of purchase date; and (d) it is found upon inspection by us that the item(s) is/are defective as noted above. This warranty does not cover labor costs, consequential damages, nor does it apply to any item(s) that has/have been improperly installed, overloaded, altered, or otherwise abused by the customer, its agent(s) or employee(s).

Product specifications are subject to change at any time.

GENERAL CONDITIONS - Minka-Lavery® may terminate its business relationship with any dealer that fails to maintain adequate stock of Minka-Lavery® product. Further, Minka-Lavery® may cease selling product to any dealer that sells or distributes to an unauthorized dealer for resale purposes.

62-84	312	826-249-L	327	1055-691	71
63-84	312	826-281-L.....	327	1056-691.....	70
231-613-L.....	321	826-613-L.....	327	1059-691.....	71
241-420-L.....	321	827-77-L.....	326	1064-699.....	111
333.....	318	827-84-L.....	326	1066-699.....	111
341-84.....	313	827-103-L.....	326	1067-699.....	111
341-172.....	313	827-249-L.....	326	1069-699.....	110
341-248.....	313	840-102-L.....	330	1071-84.....	41
341-357.....	313	840-249-L.....	330	1073-84.....	41
342-84.....	313	841-91.....	318	1074-84.....	41
342-172.....	313	844-284.....	310	1075-84.....	40
342-248.....	313	845-84-L.....	328	1080-613.....	145
342-357.....	313	845-108-L.....	328	1080-695.....	143
345-37B.....	315	846-104-L.....	329	1081-613-L.....	145
346-14.....	315	846-105-L.....	329	1081-695-L.....	143
348-37B.....	315	893-84.....	244	1084-613-L.....	144
350.....	318	971-138.....	318	1084-695-L.....	142
390-1-66A-L.....	270	1020-44-PL.....	333	1087-613-L.....	144
390-2-66A-L.....	270	1040-677.....	93	1087-695-L.....	142
391-613-L.....	321	1040-701.....	96	1089-613-L.....	145
392-613-L.....	321	1041-677.....	93	1089-695-L.....	143
564-1.....	318	1041-701.....	97	1092-740.....	153
680-14.....	259	1042-677.....	93	1094-740.....	153
682-14.....	259	1042-701.....	97	1096-740.....	152
684-14.....	258	1044-677.....	90	1097-740.....	153
687-14.....	259	1044-701.....	94	1099-740.....	152
717-1-691-L.....	330	1045-677.....	91	1181-357.....	312
717-2-691-L.....	330	1045-701.....	95	1211-706.....	187
734-355.....	315	1046-677.....	90	1214-706.....	187
800-196C.....	333	1046-701.....	94	1216-706.....	187
823-66A.....	333	1047-677.....	91	1217-706.....	186
823-77.....	333	1047-701.....	95	1219-706.....	187
823-84.....	333	1048-677.....	92	1351-177.....	261
823-167.....	333	1049-677.....	92	1355-177.....	261
824-249-L.....	325	1049-701.....	96	1356-177.....	261
824-281-L.....	325	1051-691.....	71	1358-177.....	260
824-613-L.....	325	1054-691.....	70	1420-84.....	243

Index

1421-84.....	243	1827-77-L	326	2254-576.....	310
1423-84	242	1827-84-L.....	326	2255-576	323
1424-84	243	1827-103-L	326	2255-613	323
1425-84	242	1827-249-L.....	326	2256-576.....	310
1426-84	243	1840-102-L.....	330	2256-613	310
1430-66A.....	244, 305	1840-249-L	330	2257-576	323
1430-84	244, 305	1845-84-L	328	2257-613	323
1431-77	307	1845-108-L.....	328	2258-576.....	310
1431-84.....	307	1846-104-L.....	329	2259-576.....	323
1432-77	307	1846-105-L.....	329	2259-613	323
1432-84	307	1971-138.....	318	2260-84	310
1432-267	307	1972-138	315	2271-84B	282
1433-77	307	1974-1-138.....	315	2271-695	283
1433-84	307	1975-1-138.....	315	2272-84B	282
1440-77.....	306	2151-613.....	48	2272-695.....	283
1440-84.....	306	2152-613	48	2273-84B	282
1440-267.....	306	2153-77	49	2273-695.....	283
1441-77	306	2153-724	49	2274-84B	282
1441-84	306	2154-66A	20	2274-695.....	283
1441-267	306	2154-695.....	20	2281-589.....	255
1731-613.....	234	2155-66A.....	21	2282-589.....	255
1734-613	234	2155-695	21	2283-589.....	255
1737-1-613	235	2161-66A.....	38	2284-589	255
1738-167	236	2163-66A	38	2290-613.....	309
1738-613	234	2164-66A.....	39	2291-613	309
1761-211.....	312	2165-66A	39	2293-613	172
1811-66.....	240	2182-695.....	77	2294-613.....	172
1811-84.....	238	2185-695.....	77	2301-84	177
1815-66.....	240	2186-695.....	76	2302-84	177
1815-84.....	238	2187-695	77	2303-84	177
1816-66.....	240	2242-267C	311	2304-84.....	177
1816-84.....	238	2244-77.....	311	2321-84.....	309
1824-249-L	325	2244-267C	311	2323-84.....	309
1824-281-L.....	325	2246-281.....	311	2332-77	310
1824-613-L.....	325	2246-613.....	311	2335-66A	173
1826-249-L.....	327	2247-281	311	2336-66A.....	173
1826-613-L.....	327	2247-613	311	2337-66A.....	173

2338-66A	173	2546-726.....	58	2894-691	75
2403-680	183	2663-723.....	151	2895-691.....	72
2404-680.....	183	2665-723.....	151	2896-691.....	74
2405-680	182	2669-723.....	150	2897-691.....	73
2421-84-L	271	2671-695.....	25	2898-691.....	73
2422-84-L	271	2675-695.....	23	2899-691.....	72
2423-84-L	271	2676-695.....	24	2921-77-L	274
2424-84-L.....	271	2678-695.....	22	2922-77-L.....	274
2451-695.....	276	2679-695.....	25	2923-77-L	274
2452-695.....	276	2692-115	15	2951-572	27
2453-695.....	276	2694-115	14	2952-572	27
2454-695	276	2696-115	15	2954-572.....	27
2462-691.....	277	2698-115	15	2957-572	26
2463-691.....	277	2731-709	268	2958-572.....	27
2464-691	277	2732-709	268	2959-572.....	26
2471-84	284	2733-709	268	3002-77.....	294
2472-84	284	2734-709.....	268	3003-77.....	294
2473-84	284	2751-694.....	149	3004-77	294
2474-84	284	2753-694.....	149	3011-613	273
2481-613.....	169	2754-694	148	3012-572-L.....	272
2483-613.....	169	2756-694	148	3012-613-L.....	273
2486-613.....	168	2759-694	149	3013-572-L.....	272
2488-613.....	168	2764-733.....	147	3013-613-L	273
2492-572.....	69	2765-733	146	3014-572-L.....	272
2494-572	68	2768-733.....	147	3014-613-L.....	273
2495-572.....	68	2783-695.....	17	3040-560	205
2496-572.....	69	2784-695	17	3041-560	207
2510-84-L	269	2785-695.....	17	3042-560	207
2511-84-L.....	269	2788-695.....	16	3043-560	207
2531-695	19	2863-66A.....	43	3044-560	207
2532-695.....	19	2864-66A.....	43	3045-560	204
2533-695.....	19	2866-66A.....	42	3046-560	205
2535-695.....	18	2869-66A.....	43	3049-560	205
2541-726	59	2890-691.....	73	3070-416	133
2542-726.....	59	2891-691.....	75	3070-613.....	139
2543-726.....	59	2892-691.....	75	3071-416.....	134
2544-726.....	58	2893-691.....	75	3071-613	135

Index

3072-416.....	134	3158-77	170	3339-84	248
3072-613.....	135	3159-77	308	3341-098.....	285
3073-416.....	134	3241-77	299	3342-098	285
3073-613.....	135	3242-77.....	299	3343-098	285
3074-416.....	132	3243-77.....	299	3352-84.....	320
3074-613.....	138	3244-77.....	299	3361-416.....	281
3075-416.....	131	3281-589.....	254	3361-572	280
3075-613.....	137	3282-589.....	254	3362-416.....	281
3076-416	130	3284-589	253	3362-572.....	280
3076-613.....	136	3285-589.....	252	3363-416.....	281
3077-416.....	133	3286-589.....	254	3363-572.....	280
3077-613	139	3287-589.....	253	3364-416	281
3078-416	133	3288-589.....	254	3364-572.....	280
3078-613.....	139	3290-613.....	247	3411-84.....	287
3079-416.....	130	3291-613	247, 297	3412-84	287
3079-613.....	136	3292-613	247, 297	3413-84	287
3080-416	134	3293-613	247, 297	3414-84	287
3080-613.....	135	3295-613	246	3551-588	197
3087-416.....	131	3296-613	322	3552-588.....	197
3087-613	137	3297-613	309	3553-588.....	197
3089-416	133	3298-613.....	309	3554-588.....	197
3089-613.....	139	3299-613.....	246	3561-098.....	115
3092-77.....	199	3301-84	175	3563-098.....	115
3094-77.....	199	3304-84.....	175	3568-098	112
3096-77.....	199	3305-84	174	3569-098	114
3097-77	198	3306-84	174	3673-111.....	87
3121-333	308	3307-84.....	176	3679-111.....	83
3122-301	308	3308-84	176	3843-66A.....	67
3123-489.....	308	3321-84.....	251	3844-66A.....	67
3127-126.....	308	3322-84.....	251	3845-66A.....	66
3138-284.....	308	3323-84.....	251	3846-66A.....	67
3150-77	171	3324-84	251	3849-66A.....	66
3153-599	308	3331-84.....	249	3851-756	53
3154-648	308	3332-84.....	250	3852-756	53
3155-77	171	3333-84.....	249	3854-756.....	51
3156-77	171	3334-84	250	3856-756.....	50
3157-77.....	170	3336-84	248	3857-756	52

3858-756.....	51	3984-613.....	181	4109-84.....	208
3859-756.....	51	3993-66A.....	63	4109-172.....	212
3860-695.....	33	3993-84.....	61	4130-84.....	311
3860-726.....	35	3994-66A.....	63	4133-84.....	333
3864-695.....	32	3994-84.....	61	4134-84.....	322
3864-726.....	34	3995-66A.....	62	4172-66A.....	127
3865-695.....	33	3995-84.....	60	4172-84.....	123
3865-726.....	35	3996-66A.....	62	4172-249.....	119
3866-695.....	32	3996-84.....	60	4173-66A.....	126
3866-726.....	34	3997-66A.....	63	4173-84.....	122
3868-695.....	32	3997-84.....	61	4173-249.....	118
3868-726.....	34	4010-280.....	103	4177-66A.....	127
3869-695.....	33	4012-280.....	103	4177-84.....	123
3869-726.....	35	4013-280.....	103	4177-249.....	119
3871-693.....	101	4014-280.....	103	4341-593.....	167
3872-693.....	101	4015-280.....	102	4342-593.....	167
3876-693.....	101	4016-280.....	102	4343-593.....	165
3878-693.....	100	4020-679-L.....	185	4344-593.....	165
3879-693.....	101	4025-679.....	184	4346-593.....	167
3895-77.....	55	4026-679.....	185	4347-593.....	166
3896-77.....	56	4028-679.....	184	4348-593.....	166
3898-77.....	54	4101-66.....	218	4349-593.....	164
3903-107.....	89	4101-84.....	210	4355-593.....	310
3904-107.....	89	4101-172.....	214	4361-281.....	312
3905-107.....	88	4103-66.....	217	4365-66A.....	127, 331
3912-707A.....	81	4103-84.....	209	4365-84.....	123, 331
3914-707A.....	81	4103-172.....	213	4365-249.....	119, 331
3916-707A.....	80	4104-66.....	217	4365-281.....	331
3917-707A.....	81	4104-84.....	209	4365-613.....	331
3921-613.....	47	4104-172.....	213	4373-579.....	256
3924-613.....	47	4105-66.....	217	4374-579.....	257
3925-613.....	47	4105-84.....	209	4375-579.....	257
3926-613.....	47	4105-172.....	213	4376-579.....	257
3928-613.....	46	4107-66.....	217	4391-77.....	116
3981-613.....	181	4107-84.....	209	4393-77.....	117
3982-613.....	181	4107-172.....	213	4397-77.....	116
3983-613.....	181	4109-66.....	216	4403-581.....	163

Index

4404-581	162	4559-588.....	194	4658-579	229
4405-581	163	4560-098.....	113	4659-579.....	230
4406-581	162	4561-098.....	113	4662-598	292
4407-581.....	163	4562-098	114	4663-598	292
4434-252	322	4563-098	115	4664-598.....	292
4443-66A	160	4565-098	115	4665-598	292
4443-582	156	4566-098	115	4670-111	87
4444-66A	159	4567-098.....	112	4671-111.....	86
4444-582.....	155	4569-098	113	4672-111	83
4445-66A.....	161	4600-101.....	320	4673-111	84
4445-582	157	4601-101	320	4675-111.....	85
4446-66A	159	4622-099	193	4676-111	86
4446-582	155	4623-099	193	4677-111.....	84
4447-66A.....	160	4624-099.....	193	4678-111	85
4447-582	156	4628-099	192	4679-111	82
4448-66A	161	4630-106.....	108	4751-206.....	263
4448-582.....	157	4631-106.....	109	4761-416.....	191
4449-66A	158	4632-106.....	109	4763-416	190
4449-582	154	4633-106.....	109	4764-416	191
4460-84.....	316	4634-106	109	4765-416	190
4460-273	316	4635-106.....	108	4769-416	191
4460-647.....	316	4636-106.....	107	4870-283	201
4462-84.....	316	4637-106	107	4872-283.....	203
4462-273	316	4638-106.....	107	4873-283.....	203
4462-647	316	4639-106.....	107	4874-283.....	203
4499-298	322	4640-106	108	4875-283.....	200
4531-267B.....	291	4641-106.....	106	4876-283	201
4531-613	290	4645-579	229	4878-283	202
4532-267B.....	291	4646-579	228	4879-283	200
4532-613.....	290	4650-579	231	4891-685	279
4533-267B.....	291	4651-579.....	233	4892-685	279
4533-613	290	4652-579.....	233	4893-685	279
4534-267B	291	4653-579.....	233	4894-685.....	279
4534-613.....	290	4654-579	233	4901-267-L.....	275
4553-588.....	196	4655-579.....	231	4902-267-L.....	275
4555-588.....	195	4656-579	231	4903-267-L.....	275
4556-588	196	4657-579.....	229	4904-267-L	275

4911-653.....	278	5171-249.....	121	5892-77.....	57
4912-653.....	278	5172-66A.....	129	5893-77.....	57
4913-653.....	278	5172-84.....	125	5894-77.....	57
4914-653.....	278	5172-249.....	121	6101-66.....	218
4931-284.....	312	5173-66A.....	129	6101-84.....	210
4932-284.....	322	5173-84.....	125	6101-172.....	214
4942-570.....	322	5173-249.....	121	6102-66.....	219
4951-267B.....	322	5200-290.....	318	6102-84.....	211
4952-267B.....	333	5422-84.....	245	6102-172.....	215
4960-84.....	223	5423-84.....	245	6103-66.....	219
4960-284.....	226	5424-84.....	245	6103-84.....	211
4961-84.....	222	5425-84.....	245	6103-172.....	215
4961-284.....	225	5490-729.....	29	6104-66.....	219
4962-84.....	222	5495-729.....	29	6104-84.....	211
4962-284.....	226	5496-729.....	29	6104-172.....	215
4963-84.....	222	5497-729.....	28	6110-0.....	264
4963-284.....	225	5498-729.....	29	6110-1.....	265
4964-84.....	222	5500-77-L.....	317	6110-2.....	265
4964-284.....	225	5500-84-L.....	317	6110-3.....	265
4965-84.....	221	5500-281-L.....	317	6119-0.....	266
4965-284.....	224	5501-77-L.....	317	6119-1.....	267
4968-84.....	220	5501-84-L.....	317	6119-2.....	267
4969-84.....	221	5501-281-L.....	317	6119-3.....	267
4969-284.....	224	5582-84.....	298	6211-77.....	318
4982-613.....	179	5583-84.....	298	6212-77.....	316
4983-613.....	179	5584-84.....	298	6212-84.....	316
4984-613.....	180	5721-77.....	286	6212-647.....	316
4986-613.....	178	5722-77.....	286	6231-288.....	315
4989-613.....	178	5723-77.....	286	6350-177.....	262
5130-84.....	288	5724-77.....	286	6352-177.....	262
5132-84.....	289	5741-206.....	263	6353-177.....	262
5133-84.....	289	5742-206.....	263	6354-177.....	262
5134-84.....	289	5761-2560-84.....	301	6368-84.....	332
5135-84.....	288	5762-2560-84.....	301	6368-249.....	332
5136-84.....	288	5763-2560-84.....	301	6368-281.....	332
5171-66A.....	129	5764-2560-84.....	301	6368-613.....	332
5171-84.....	125	5891-77.....	57	6369-84.....	331

Index

6369-249	331	6912-613	295	71163-A144.....	317
6369-281.....	331	6913-613	295	72398-66-L	319
6369-613.....	331	6914-613.....	295	72398-609-L	319
6390-77.....	116	6917-77-L.....	324	72399-615B-L.....	319
6392-77.....	117	6917-84-L.....	324	72400-615B-L	319
6393-77.....	117	6917-249-L.....	324	72501-615B-L.....	319
6394-77.....	117	6917-281-L	324	72501-A144-L	319
6460-84.....	315	6918-77-L.....	324	72502-615B-L.....	319
6461-273.....	320	6918-84-L	324	72502-A144-L	319
6522-77	293	6918-249-L.....	324		P
6523-77	293	6918-281-L.....	324	P6105.....	304
6540-77.....	296	6919-77	332	P6107.....	304
6542-77.....	296	6919-84	332	P6108.....	304
6543-77.....	296	6919-249.....	332	P6109.....	304
6544-77	296	6919-281	332		
6731-1-613.....	235	6919-613.....	332		
6731-167.....	237	6961-84	223		
6732-1-613	235	6961-284.....	227		
6732-167	237	6962-84	223		
6733-1-613.....	235	6962-284	227		
6733-167	237	6963-84	223		
6734-1-613	235	6963-284	227		
6734-167	237	6964-84.....	223		
6761-211.....	300	6964-284	227		
6762-211	300	9801-143.....	314		
6763-211	300	9801-143-L.....	314		
6765-211	300	9801-144.....	314		
6767-211.....	300	9801-144-L.....	314		
6810-84	238	9802-143.....	314		
6811-66.....	241	9802-143-L.....	314		
6811-84.....	239	9802-144	314		
6812-66.....	241	9802-144-L	314		
6812-84	239	9803-143.....	313		
6813-66.....	241	9803-144	314		
6813-84	239	9836.....	318		
6814-66	241	71162-84.....	317		
6814-84	239	71163-143C	317		



Lined writing area consisting of 30 horizontal lines.





Lined writing area consisting of 28 horizontal lines.





We Support



MINKA-LAVERY®

World Headquarters

1151 West Bradford Court
Corona, CA 92882

Showroom

Dallas Market Center
2100 Stemmons, Suite 4103,
Dallas, Texas 75207

Toll: 800.221.7977 | 951.735.9220 | Fax: 951.735.9758
sales@minkagroup.net | minka.com
MLCAT2022-05

MINKA-LAVERY®

2022

JUNE COLLECTION

— INCLUDING —

VANTAGE



Graphic Design: Minka Group® Graphics
Product Originals: Minka Group®
Product specifications subject to change at any time.
Catalog - MLJUNE2022-06
Printed in U.S.A.
© 1993-2022 Minka Lighting, Inc.

Family Overview



Townhall
Pages 4-5



Ponderosa Ridge
Pages 6-7



Cody
Pages 8-9



Buchanan
Pages 10-13



Westchester County
Pages 14-17



Graham Avenue
Pages 18-21



Cascade
Pages 22-25



Halifax County
Pages 26-27



Downtown Edison
Pages 28-31

Family Overview

VANTAGE[®] by MINKA-LAVERY[®]



Aurea
Pages 32-43



LED Flush Mounts
Page 44



LED Flush Mounts
Page 45



LED Pendants
Pages 46-47



Winsley
Page 48

Townhall



Canopy Detail

A. 2106-726





B. 2105-726



C. 2103-726

SPECIFICATIONS

A.	2106-726	6 Light Pendant	32" Sq. x 41¼"H	6/60W Candelabra Base	Soft Brass and Coal Finish
B.	2105-726	4 Light Pendant	24" Sq. x 36"H	4/60W Candelabra Base	
C.	2103-726	4 Light Pendant	16" Sq. x 23¼"H	4/60W Candelabra Base	

Ponderosa Ridge

OUTDOOR
- LIVING -



SPECIFICATIONS

2758-694	9 Light Chandelier	33"Dia. x 31½"H	9/60W Medium Base	Clear and White Glass	Weathered Spruce Finish with Silver Highlights
----------	--------------------	-----------------	-------------------	-----------------------	--

Family Snapshot

See the Minka Lavery Catalog (Vol. 34) to view the full Ponderosa Ridge Family



2754-694



2759-694



2751-694



A. 1536-726





B. 1533-726



C. 1531-726

SPECIFICATIONS

A.	1536-726	6 Light Pan Pendant	28" Dia. x 36"H	6/60W Candelabra Base	Clear Water Glass	Coal and Soft Brass Finish
B.	1533-726	3 Light Pan Pendant	19" Dia. x 24"H	3/60W Candelabra Base		
C.	1531-726	1 Light Mini Pendant	8¾" Dia. x 16"H x 5¼" Ext.	1/60W Candelabra Base		

Buchanan





B. 1675-755

SPECIFICATIONS

A. 1677-755	6 Light Chandelier	27¼" Dia. x 24"H	6/60W Candelabra Base	Faux Alabaster Glass	Hellenic Bronze Finish
B. 1675-755	4 Light Pendant	11½" Dia. x 15½"H	4/60W Candelabra Base	Faux Alabaster Glass	Hellenic Bronze Finish

Buchanan



Canopy Detail



Canopy Detail

A. 1676-755





B. 1679-755



C. 1678-755

SPECIFICATIONS

A. 1676-755	6 Light Pendant	23½" Dia. x 10½"H	6/60W Candelabra Base	Faux Alabaster Glass	Hellenic Bronze Finish
B. 1679-755	4 Light Semi Flush	17½" Dia. x 12½"H	4/60W Candelabra Base		
C. 1678-755	8 Light Island	46¾"L x 16"W x 18½"H	8/60W Candelabra Base		



A. 1039-677





B. 1038-677

SPECIFICATIONS

A. 1039-677	10 Light Chandelier	68" Dia. x 39"H	10/60W Candelabra Base	Sand Coal with Skyline Gold Leaf Finish
B. 1038-677		60" Dia. x 35"H		



Canopy Detail



SPECIFICATIONS

1037-701	8 Light Chandelier	52" Dia. x 30 3/4"H	8/60W Candelabra Base	Farmhouse White and Gilded Gold Leaf Finish
----------	--------------------	---------------------	-----------------------	---

Family Snapshot

See the Minka Lavery Catalog (Vol. 34) to view the full Westchester County Family



1045-677



1047-677



1049-677



1040-677



Graham Avenue



A. 2736-709





B. 2737-709

SPECIFICATIONS

A. 2736-709	5 Light Chandelier	26" Dia. x 26"H	5/60W Candelabra Base	Clear Pressed Glass	Smoked Iron and Brushed Nickel Finish
B. 2737-709	4 Light Chandelier	20" Dia. x 20"H	4/60W Candelabra Base		

Graham Avenue



SPECIFICATIONS

2735-709	3 Light Semi Flush	17" Dia. x 15"H	3/60W Candelabra Base	Clear Pressed Glass	Smoked Iron and Brushed Nickel Finish
----------	--------------------	-----------------	-----------------------	---------------------	---------------------------------------

Family Snapshot

See the Minka Lavery Catalog (Vol. 34) to view the Graham Avenue Bath collection



Cascade



A. 2445-66A





B. 2448-66A



C. 2449-66A

SPECIFICATIONS

A. 2445-66A	4 Light Pendant	24" Dia. x 20½"H	4/60W Medium Base	White Linen Shade	Coal Finish
B. 2448-66A	4 Light Oval Pendant	32"L x 21"W x 8¼"H			
C. 2449-66A		42"L x 25½"W x 8¼"H			

Cascade



A. 2441-66A





B. 2443-66A



C. 2444-66A

SPECIFICATIONS

A. 2441-66A	3 Light Pendant	12¼"Dia. x 27¼"H	3/60W Medium Base	White Linen Shade	Coal Finish
B. 2443-66A		18" Dia. x 21½"H			
C. 2444-66A	3 Light Flush Mount	15" Dia. x 7½"H			



A. 6259-076





B. 6255-076



C. 6258-076

SPECIFICATIONS

A.	6259-076	10 Light Chandelier	58"Dia. x 34"H	10/60W Candelabra Base	Textured Coal Finish
B.	6255-076	5 Light Chandelier	28"Dia. x 20½"H	5/60W Candelabra Base	
C.	6258-076	8 Light Chandelier	48"Dia. x 28"H	8/60W Candelabra Base	

Downtown Edison



Canopy Detail

A. 5139-799





B. 5138-799

SPECIFICATIONS

A. 5139-799	5 Light Chandelier	28" Dia. x 23 ³ / ₄ " H	5/60W Medium Base	Clear Glass	White and Soft Brass Finish
B. 5138-799	3 Light Chandelier	23" Dia. x 20 ³ / ₄ " H	3/60W Medium Base		

Downtown Edison



Canopy Detail

A. 5137-799

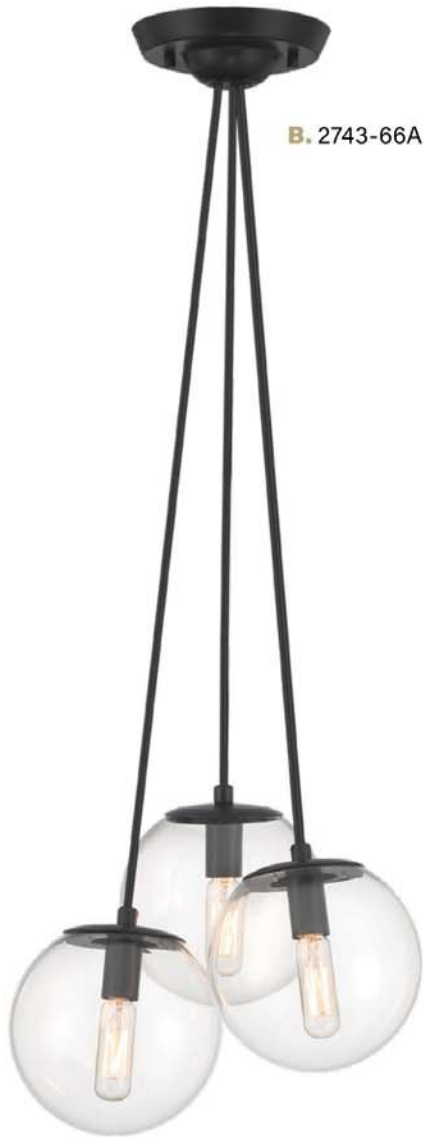




SPECIFICATIONS

A. 5137-799	5 Light Island	44"L x 8½"W x 23¼"H	5/60W Medium Base	Clear Glass	White and Soft Brass Finish
B. 5132-799	2 Light Bath	18½"W x 10½"H x 10½"Ext.	2/60W Medium Base		
C. 5133-799	3 Light Bath	28½"W x 10½"H x 10½"Ext.	3/60W Medium Base		
D. 5134-799	4 Light Bath	38½"W x 10½"H x 10½"Ext.	4/60W Medium Base		





B. 2743-66A



C. 2745-66A

SPECIFICATIONS

A. 2748-66A	8 Light Pendant	34½"W x 33¼"H x 24"Ext.	8-40W Candelabra Base	Clear Glass	Coal Finish
B. 2743-66A	3 Light Cluster Pendant	12"Dia. x 9½"H	3-40W Candelabra Base		
C. 2745-66A	5 Light Cluster Pendant	18"Dia. x 16"H	5-40W Candelabra Base		





B. 2799-66A



C. 2790-66A

SPECIFICATIONS

A. 2795-66A	5 Light Chandelier	29" Dia. x 12"H	5-40W Candelabra Base	Clear Glass	Coal Finish
B. 2799-66A	3 Light Semi Flush	20" Dia. x 15"H	3-40W Candelabra Base		
C. 2790-66A	1 Light Mini Pendant	8¼" Dia. x 10"H	1-40W Medium Base		





B. 2791-66A



C. 2792-66A



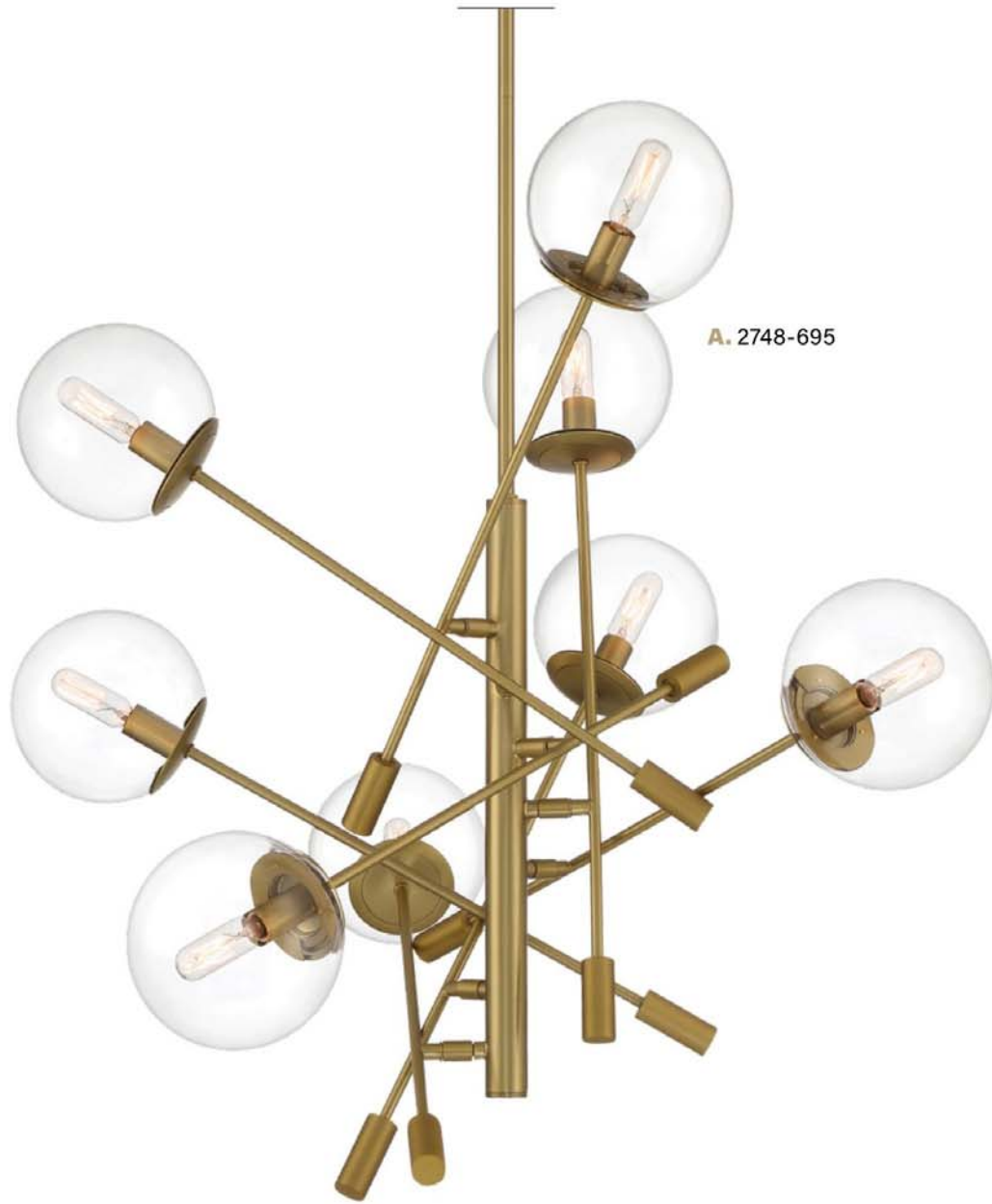
D. 2793-66A

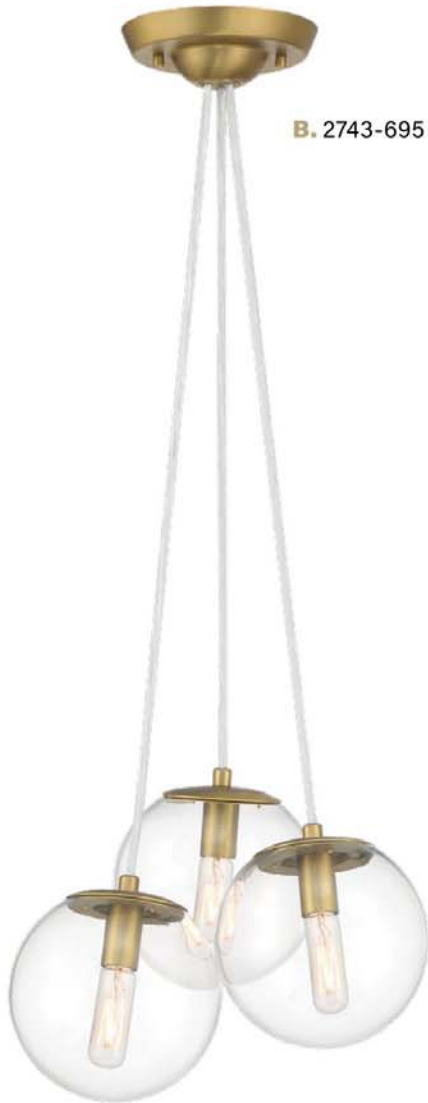


E. 2794-66A

SPECIFICATIONS

A. 2796-66A	3 Light Pendant	24" Dia. x 11"H	3-40W Candelabra Base	Clear Glass	Coal Finish
B. 2791-66A	1 Light Bath	6"W x 9"H x 7"Ext.	1-40W Candelabra Base		
C. 2792-66A	2 Light Bath	16"W x 9"H x 7"Ext.	2-40W Candelabra Base		
D. 2793-66A	3 Light Bath	25¾"W x 9"H x 7"Ext.	3-40W Candelabra Base		
E. 2794-66A	4 Light Bath	35¾"W x 9"H x 7"Ext.	4-40W Candelabra Base		





B. 2743-695



C. 2745-695

SPECIFICATIONS

A. 2748-695	8 Light Pendant	34½"W x 33¼"H x 24"Ext.	8-40W Candelabra Base	Clear Glass	Soft Brass Finish
B. 2743-695	3 Light Cluster Pendant	12"Dia. x 9½"H	3-40W Candelabra Base		
C. 2745-695	5 Light Cluster Pendant	18"Dia. x 16"H	5-40W Candelabra Base		





B. 2799-695



C. 2790-695

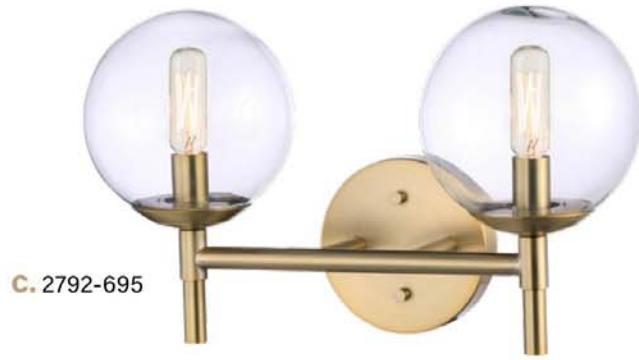
SPECIFICATIONS

A. 2795-695	5 Light Chandelier	29" Dia. x 12"H	5-40W Candelabra Base	Clear Glass	Soft Brass Finish
B. 2799-695	3 Light Semi Flush	20" Dia. x 15"H	3-40W Candelabra Base		
C. 2790-695	1 Light Mini Pendant	8¼" Dia. x 10"H	1-40W Medium Base		





B. 2791-695



C. 2792-695



D. 2793-695



E. 2794-695

SPECIFICATIONS

A. 2796-695	3 Light Pendant	24" Dia. x 11"H	3-40W Candelabra Base	Clear Glass	Soft Brass Finish
B. 2791-695	1 Light Bath	6"W x 9"H x 7"Ext.	1-40W Candelabra Base		
C. 2792-695	2 Light Bath	16"W x 9"H x 7"Ext.	2-40W Candelabra Base		
D. 2793-695	3 Light Bath	25¾"W x 9"H x 7"Ext.	3-40W Candelabra Base		
E. 2794-695	4 Light Bath	35¾"W x 9"H x 7"Ext.	4-40W Candelabra Base		

LED FLUSH MOUNTS

A. 749-2-84-L



B. 749-2-66A-L



SPECIFICATIONS

A. 749-2-84-L	LED Flush Mount	7" Dia. x 1½"H	16W LED 3000K	Acrylic Lens	Brushed Nickel Finish
B. 749-2-66A-L					Coal Finish

LED FLUSH MOUNTS



A. 715-44-L



B. 709-44-L



C. 715-84-L



D. 709-84-L



E. 715-66A-L

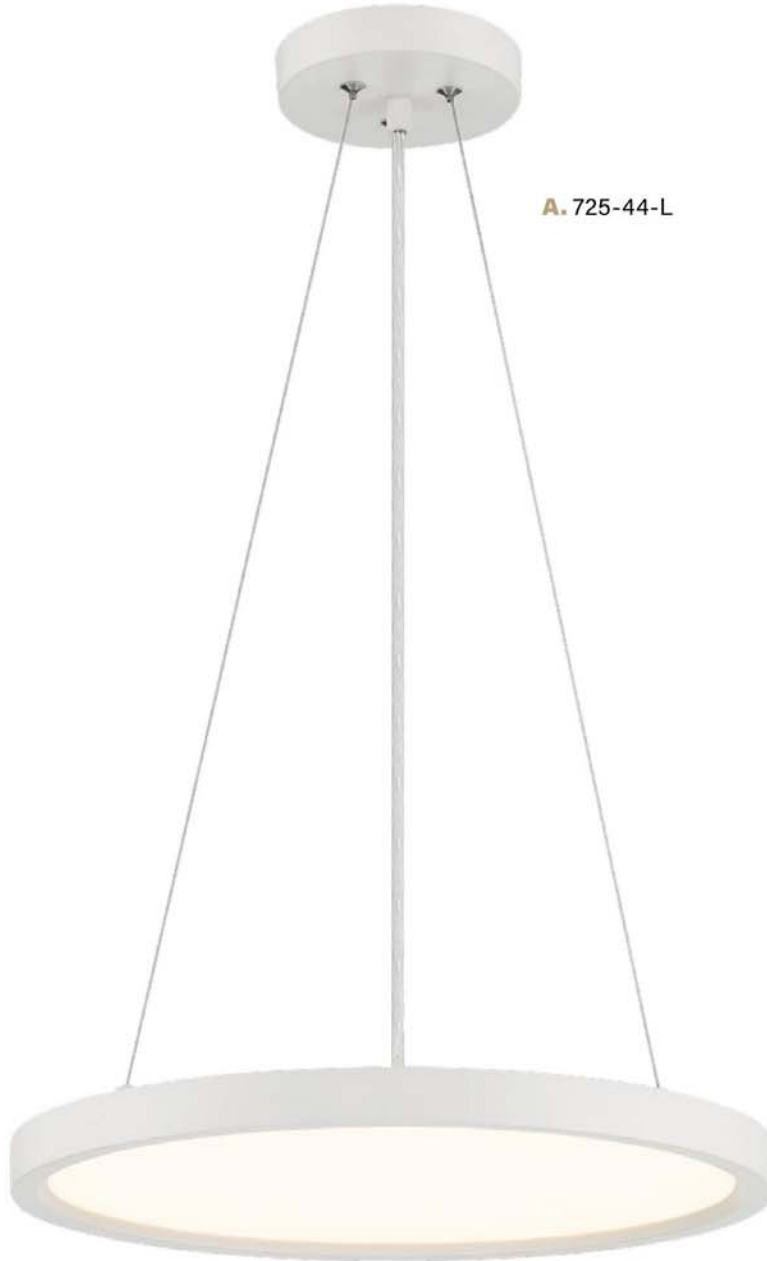


F. 709-66A-L

SPECIFICATIONS

A. 715-44-L	Edge Lit LED Flush Mount	15" Dia./Sq. x 1"H	30W LED 2086 Est. Lumens 90 CRI 3000K	Acrylic Diffuser	White Finish
B. 709-44-L			30W LED 1869 Est. Lumens 90 CRI 3000K		
C. 715-84-L			30W LED 2047 Est. Lumens 90 CRI 3000K		Brushed Nickel Finish
D. 709-84-L			30W LED 1826 Est. Lumens 90 CRI 3000K		
E. 715-66A-L			30W LED 2006 Est. Lumens 90 CRI 3000K		Coal Finish
F. 709-66A-L			30W LED 1885 Est. Lumens 90 CRI 3000K		

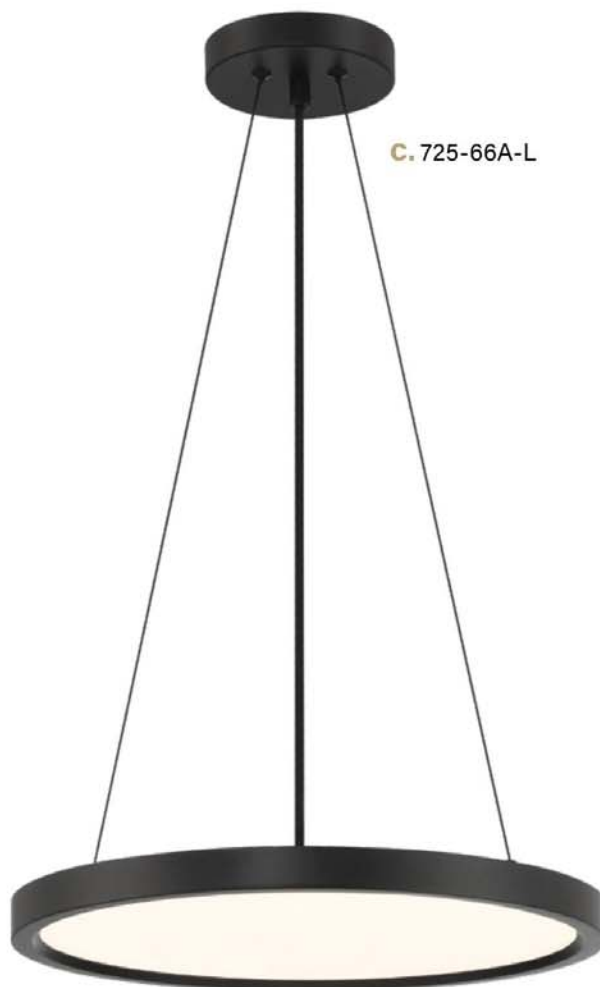
LED PENDANTS



A. 725-44-L



B. 725-84-L



C. 725-66A-L

SPECIFICATIONS

A. 725-44-L	LED Pendant	15" Dia. x 1½"H	30W LED 3000K	Acrylic Diffuser	White Finish
B. 725-84-L					Brushed Nickel Finish
C. 725-66A-L					Coal Finish

A. 2438-84



B. 2438-878



SPECIFICATIONS

A. 2438-84	3 Light Flush Mount	15" Dia. x 8"H	3/60W Medium Base	Clear Seeded Glass	Brushed Nickel Finish
B. 2438-878					Coal with Stained Brass Finish

MINKA-LAVERY®

World Headquarters

1151 West Bradford Court
Corona, California 92882

Showroom

Dallas Market Center
2100 Stemmons, Suite 4103
Dallas, Texas 75207

Toll: 800.221.7977 • 951.735.9220 • Fax: 951.735.9758
sales@minkagroup.net • minka.com

MLJUNE2022-06

MINKA-LAVERY®
2023
COLLECTION

— INCLUDING —

VANTAGE &
the great outdoors®



Graphic Design: Minka Group® Graphics
Product Originals: Minka Group®
Product specifications subject to change at any time.
Catalog - ML2023-02
Printed in U.S.A.
© 1993-2023 Minka Lighting, Inc.

Family Overview



North Fork
Pages 6-9



Ryton
Pages 10-13



Lanton
Pages 14-15



Colonial Charm
Pages 16-19



Modjeska
Pages 20-21



Key Largo
Pages 22-23



Bungalow Heaven
Pages 24-25



Watermill
Pages 26-27



Stutterhein
Pages 28-29

Family Overview



Gateway Park
Pages 30-31



Caprio
Pages 32-33



Union Estates
Pages 34-35



Biloxi
Pages 36-37



Vorey
Page 38



Segan
Page 39



Schooner Ridge
Pages 40-41



Populuxe
Pages 42-45



Trizay
Pages 46-49

Family Overview



Orban
Page 50



Eroles
Page 51



Tanzac
Page 52



Aizen
Page 53



Cartaya
Page 54



Velaux
Page 55



Boada
Page 56



Bax
Page 57



Sparren
Page 58



Hollywood Nights
Page 59

Family Overview



Parsons Studio
Pages 60-61



Muncie
Pages 62-63



LED Flush Mounts
Page 64



Vantage Pendants
Page 65



Vantage Vanity
Pages 66-69



Knoll Road
Pages 70-71



Abalone Point
Page 72



Cameo Shores
Page 73



Westgate
Pages 74-75



Noble Hill
Pages 76-79

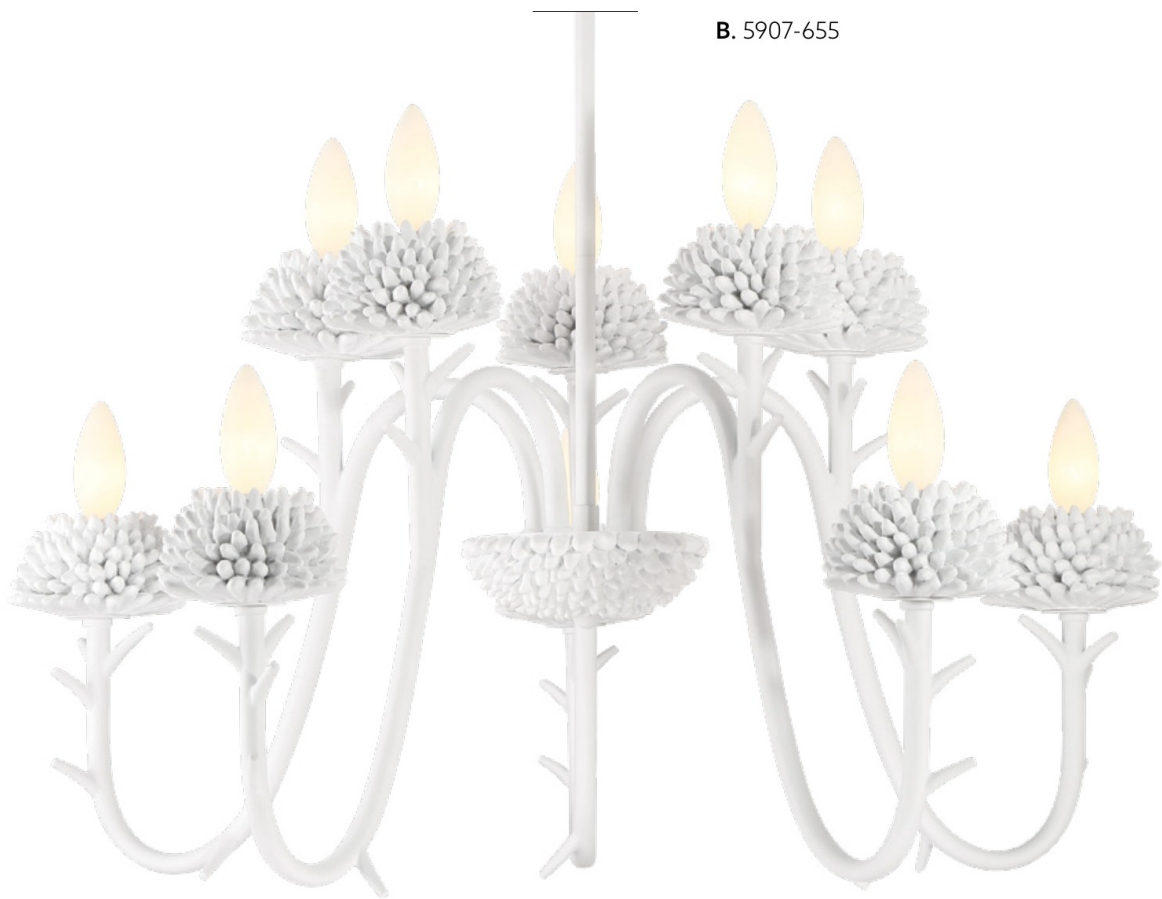
North Fork



A. 5908-655



Robin
ROBIN BARON DESIGN



SPECIFICATIONS

A. 5908-655	12 Light Chandelier	38"Dia. x 14 ¹ / ₄ "H	12/60W Candelabra Base	Sand White Finish
B. 5907-655	10 Light Chandelier	30"Dia. x 15 ³ / ₄ "H	10/60W Candelabra Base	

North Fork



A. 5903-655

Robin
ROBIN BARON DESIGN



B. 5904-655



C. 5906-655

SPECIFICATIONS

A. 5903-655	3 Light Wall Sconce	10¾"W x 22"H x 5½" Ext.	3/60W Candelabra Base	Sand White Finish
B. 5904-655	6 Light Flush Mount	18¼"Dia. x 6½"H	6/60W Candelabra Base	
C. 5906-655	6 Light Chandelier	24"Dia. x 18"H		

Ryton



A. 4716-892





B. 4715-892

SPECIFICATIONS

A. 4716-892	6 Light Chandelier	30" Dia. x 27¼"H	6/60W Candelabra Base	Plaster White Finish
B. 4715-892		26¼" Dia. x 31"H		

Ryton



A. 4718-892





B. 4711-892

C. 4713-892

SPECIFICATIONS

A. 4718-892	8 Light Island	43"L x 15"W x 29¼" H	8/60W Candelabra Base	Plaster White Finish
B. 4711-892	1 Light Wall Sconce	7"W x 15½"H x 8½" Ext.	1/60W Candelabra Base	
C. 4713-892	3 Light Wall Sconce	15"W x 27½"H x 11¾" Ext.	3/60W Candelabra Base	

Lanton



A. 2128-655





B. 2122-655



C. 2126-655

SPECIFICATIONS

A.	2128-655	8 Light Chandelier	34" Dia. x 30"H	8/60W Candelabra Base	Natural Rope	Sand White Finish
B.	2122-655	2 Light Wall Sconce	8½"W x 11"H x 6"Ext.	2/60W Candelabra Base		
C.	2126-655	6 Light Chandelier	28" Dia. x 26"H	6/60W Candelabra Base		

Colonial Charm

A. 2669-717





B. 2663-717



C. 2662-717



D. 2665-717

SPECIFICATIONS

A. 2669-717	9 Light Chandelier	33¼" Dia. x 40"H	9/60W Candelabra Base	White Washed Wooden Orbs	White Wash and Sun Dried Clay Finish
B. 2663-717	3 Light Chandelier	18¾" Dia. x 21½"H	3/60W Candelabra Base		
C. 2662-717	3 Light Semi Flush	16¾" Dia. x 17¾"H			
D. 2665-717	5 Light Chandelier	28" Dia. x 31¾"H	5/60W Candelabra Base		

Colonial Charm



Jan 2022 Release

A. 2669-723





Jan 2022 Release
B. 2663-723



C. 2662-723



Jan 2022 Release
D. 2665-723

SPECIFICATIONS

A. 2669-723	9 Light Chandelier	33¼" Dia. x 40"H	9/60W Candelabra Base	Walnut Washed Wooden Orbs	Old World Bronze Finish with Walnut Accents
B. 2663-723	3 Light Chandelier	18¾" Dia. x 21½"H	3/60W Candelabra Base		
C. 2662-723	3 Light Semi Flush	16¾" Dia. x 17¾"H			
D. 2665-723	5 Light Chandelier	28" Dia. x 31¾"H	5/60W Candelabra Base		



A. 3546-66A





B. 3545-66A

SPECIFICATIONS

A. 3546-66A	4 Light Pendant	24" Dia. x 12¾"H	4/60W Candelabra Base	Natural Rattan Shade	Coal Finish
B. 3545-66A	1 Light Pendant	20¼" Dia. x 11½"H	1/60W Medium Base		

Key Largo



A. 6577-695



B. 6575-695



C. 6574-695



D. 6576-695

SPECIFICATIONS

A. 6577-695	1 Light Pendant	28"L x 27½"W x 12"H	1/60W Medium Base	Etched Opal Glass & Natural Rope Shade	Soft Brass Finish
B. 6575-695		16"L x 15¾"W x 18"H			
C. 6574-695	1 Light Semi Flush	16"L x 15¼"W x 12¼"H	1/60W Candelabra Base		
D. 6576-695	1 Light Pendant	22"L x 21¼"W x 10"H	1/60W Medium Base		

Bungalow Heaven



A. 5046-695





B. 5044-695



C. 5045-695

SPECIFICATIONS

A. 5046-695	6 Light Pendant	32" Dia. x 22¾"H	6/60W Candelabra Base	Papyrus Rope Shade	Soft Brass Finish
B. 5044-695	4 Light Pendant	16" Dia. x 14¾"H	4/60W Candelabra Base		
C. 5045-695	5 Light Pendant	26" Dia. x 18¼"H	5/60W Candelabra Base		

Watermill



A. 1104-66A

Robin
ROBIN BARON DESIGN



B. 1105-66A



C. 1106-66A

SPECIFICATIONS

A. 1104-66A	1 Light Pendant	12½" Dia. x 22½"H	1/100W Medium Base	Frosted White Glass & Natural Wicker Shade	Coal Finish
B. 1105-66A	3 Light Pendant	20" Dia. x 9½"H	3/100W Medium Base		
C. 1106-66A	4 Light Pendant	28" Dia. x 11"H	4/100W Medium Base		



DAMP
RATED

A. 3195-287



B. 3194-287



SPECIFICATIONS

A. 3195-287	1 Light Pendant	16¼" Dia. x 31¼" H	1/100W Medium Base	Clear Glass & Natural Rope	Sand Bronze Finish
B. 3194-287		11" Dia. x 22" H	1/60W Candelabra Base		

Gateway Park

CONVERTIBLE to SEMI FLUSH



In Stock!
A. 2155-695



In Stock!
C. 2154-695



B. 2156-695

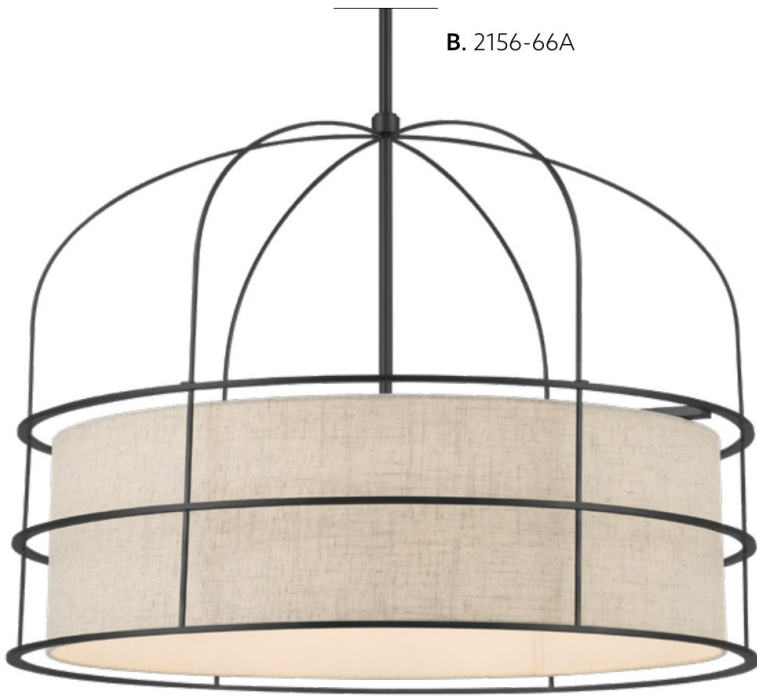
SPECIFICATIONS

A.	2155-695	5 Light Pendant	20" Dia. x 15"H	5/60W Candelabra Base	Oatmeal Linen Shade	Soft Brass Finish
B.	2156-695	6 Light Pendant	26" Dia. x 19 1/2"H	6/60W Candelabra Base		
C.	2154-695	4 Light Pendant	14" Dia. x 23 1/2"H	4/60W Candelabra Base		



In Stock!
A. 2155-66A

CONVERTIBLE to SEMI FLUSH



B. 2156-66A



In Stock!
C. 2154-66A

SPECIFICATIONS

A.	2155-66A	5 Light Pendant	20" Dia. x 15"H	5/60W Candelabra Base	Oatmeal Linen Shade	Coal Finish
B.	2156-66A	6 Light Pendant	26" Dia. x 19½"H	6/60W Candelabra Base		
C.	2154-66A	4 Light Pendant	14" Dia. x 23½"H	4/60W Candelabra Base		

Caprio



A. 4588-672





B. 4584-672



C. 4586-672

SPECIFICATIONS

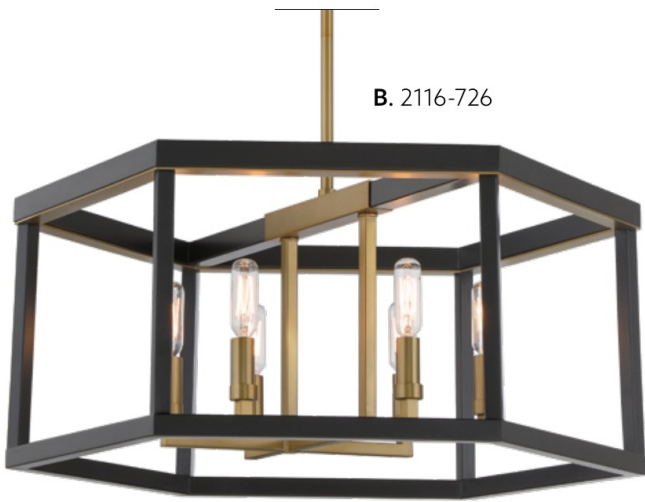
A. 4588-672	8 Light Pendant	40¾" Dia. x 25¾" H	8/60W Candelabra Base	Onyx Fabric Shade & Clear Glass Ball	Natural Brushed Brass Finish
B. 4584-672	4 Light Pendant	23¾" Dia. x 17¾" H	4/60W Candelabra Base		
C. 4586-672	6 Light Pendant	32¾" Dia. x 20¾" H	6/60W Candelabra Base		

Union Estates



A. 2119-726

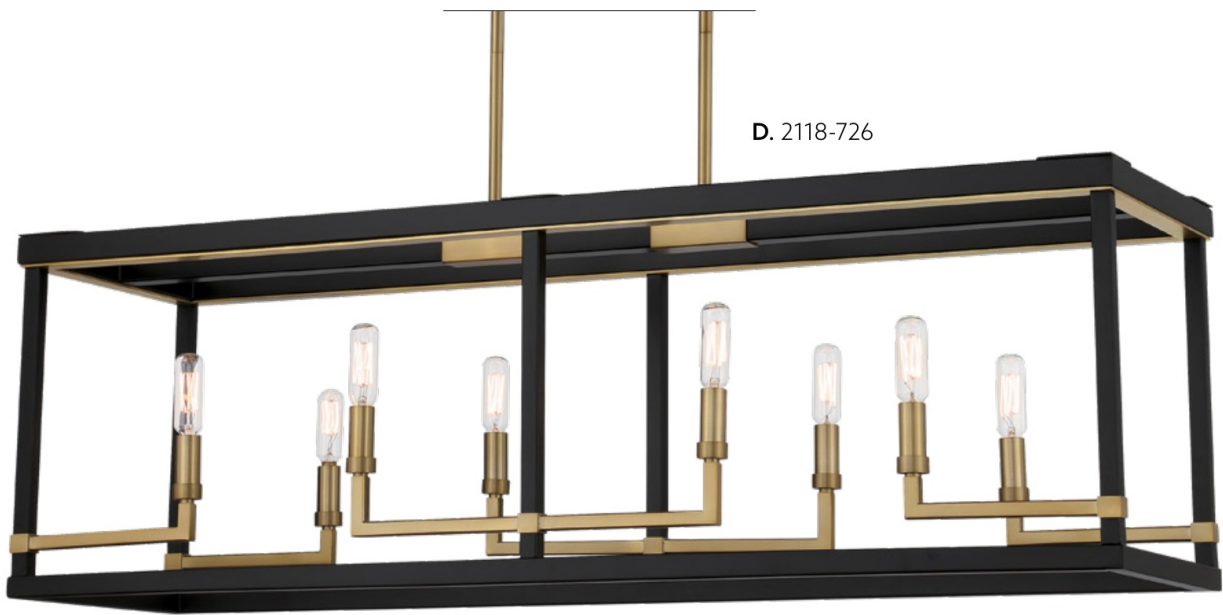




B. 2116-726



C. 2114-726



D. 2118-726

SPECIFICATIONS

A. 2119-726	8 Light Pendant	14" Sq. x 22½"H	8/60W Candelabra Base	Coal and Soft Brass Finish
B. 2116-726	6 Light Pendant	24" Dia. x 10½"H	6/60W Candelabra Base	
C. 2114-726	4 Light Semi Flush	18" Dia. x 14¼"H	4/60W Candelabra Base	
D. 2118-726	8 Light Island	40"L x 11"W x 12¾"H	8/60W Candelabra Base	

Biloxi



A. 1996-862





B. 1994-862



C. 1995-862

SPECIFICATIONS

A. 1996-862	1 Light Pendant	24" Dia. x 17"H	1/100W Medium Base	Coal and Weathered Antique Brass Finish
B. 1994-862		10¾" Dia. x 10¼"H		
C. 1995-862		17¾" Dia. x 14¼"H		

Vorey



WET
RATED



SPECIFICATIONS

6605-885	1 Light Pendant	12 $\frac{1}{4}$ "Dia. x 15 $\frac{1}{2}$ "H	1/60W Medium Base	Etched Opal Glass	Coal and Oxidized Aged Brass Finish
----------	-----------------	--	-------------------	-------------------	-------------------------------------



WET
RATED



A. 1405-758



B. 1406-758

SPECIFICATIONS

A. 1405-758	1 Light Pendant	15" Dia. x 10¼"H	1/60W Medium Base	Clear Glass	Coal and Soft Brass Finish
B. 1406-758		20" Dia. x 10¼"H			

Schooner Ridge



A. 6405-66A



B. 6406-66A

SPECIFICATIONS

A. 6405-66A	1 Light Pendant	24 ¹ / ₄ "Dia. x 23 ¹ / ₂ "H	1/60W Medium Base	Etched White Glass	Coal Finish
B. 6406-66A		18 ¹ / ₄ "Dia. x 19 ³ / ₄ "H			

Populuxe



A. 1336-923





SPECIFICATIONS

A. 1336-923	6 Light Chandelier	28" Dia. x 21½"H	6/60W Candelabra Base	Clear Volcanic Glass	Oxidized Aged Brass Finish
B. 1335-923	1 Light Mini Pendant	9" Dia. x 19"H	1/60W Medium Base		



A. 1331-923



B. 1332-923



C. 1333-923

SPECIFICATIONS

A. 1331-923	1 Light Wall Sconce	6"W x 11"H x 7"Ext.	1/60W Candelabra Base	Clear Volcanic Glass	Oxidized Aged Brass Finish
B. 1332-923	2 Light Bath Vanity	18"W x 11"H x 7"Ext.	2/60W Candelabra Base		
C. 1333-923	3 Light Bath Vanity	28"W x 11"H x 7"Ext.	3/60W Candelabra Base		

Trizay



A. 5056-774-L





SPECIFICATIONS

A.	5056-774-L	4 Light LED Pendant	24" Sq. x 34"H	100W LED	Etched Opal Glass	Harvest Gold Finish
B.	5058-774-L	6 Light LED Chandelier	24" Dia. x 11¼"H	60W LED		



A. 5054-774-L



B. 5055-774-L



C. 5051-774-L



D. 5052-774-L



E. 5053-774-L

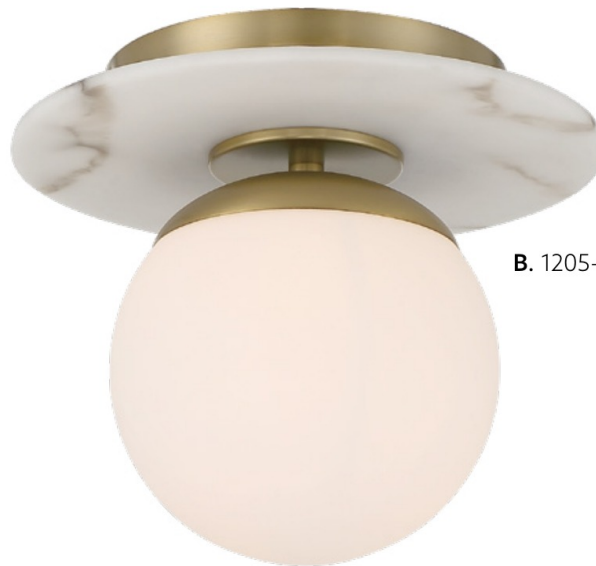
SPECIFICATIONS

A. 5054-774-L	5 Light LED Semi Flush	16" Dia. x 11"H	50W LED	Etched Opal Glass	Harvest Gold Finish
B. 5055-774-L	4 Light LED Pendant	16" Sq. x 25"H	72W LED		
C. 5051-774-L*	LED Bath Vanity	16"W x 4½"H x 3" Ext.	21W LED		
D. 5052-774-L*		24"W x 4½"H x 3" Ext.	28W LED		
E. 5053-774-L*		32"W x 4½"H x 3" Ext.	35W LED		

* ADA Compliant



A. 1206-695



B. 1205-695

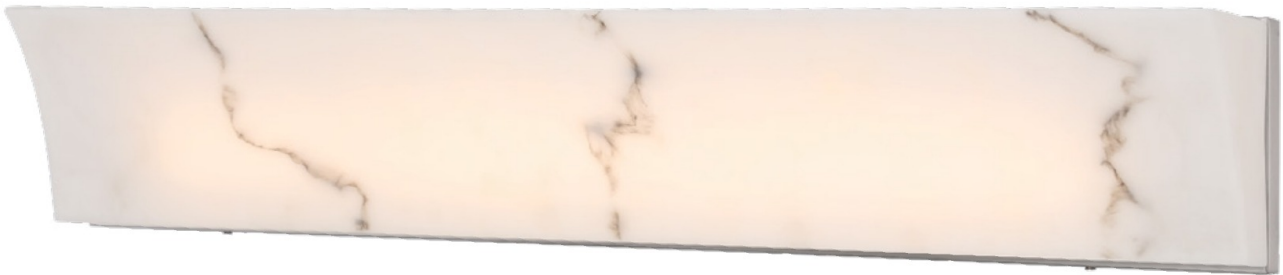
SPECIFICATIONS

A.	1206-695	3 Light Semi Flush	15" Dia. x 9¼"H	3/60W Candelabra Base	Faux Alabaster and Etched White Glass	Soft Brass Finish
B.	1205-695	1 Light Semi Flush	9" Dia. x 7¾"H	1/60W Candelabra Base		

A. 3102-84-L



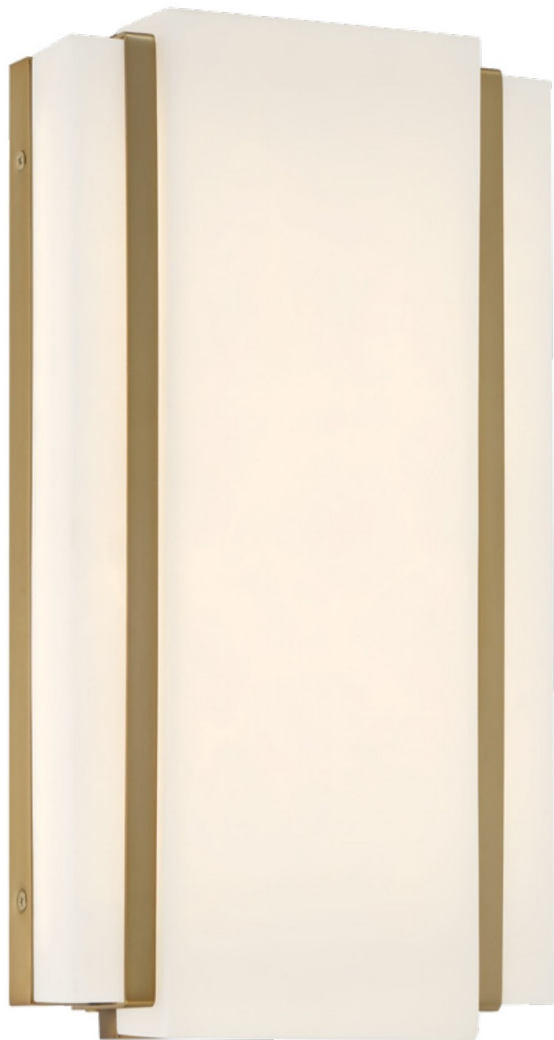
B. 3103-84-L



SPECIFICATIONS

A. 3102-84-L*	LED Bath Vanity	24"W x 5½"H x 4"Ext.	36W LED	Faux Alabaster	Brushed Nickel Finish
B. 3103-84-L*		32"W x 5½"H x 4"Ext.	48W LED		

* ADA Compliant



A. 221-695-L



B. 224-695-L

SPECIFICATIONS

A. 221-695-L*	LED Wall Sconce	8½"W x 16"H x 2¾"Ext.	25W LED	White Faux Alabaster	Soft Brass Finish
B. 224-695-L*		8"W x 10"H x 2¾"H	20W LED		

* ADA Compliant



A. 921-695-L



B. 924-695-L

SPECIFICATIONS

A. 921-695-L*	LED Wall Sconce	6"W x 19"H x 3¼"H	20W LED	White Faux Alabaster	Soft Brass Finish
B. 924-695-L*		6"W x 12"H x 3¼"H	15W LED		

* ADA Compliant



SPECIFICATIONS

321-695-L*	LED Wall Sconce	6"W x 15"H x 2 ³ / ₄ " Ext.	20W LED	White Faux Alabaster	Soft Brass Finish
------------	-----------------	---	---------	-------------------------	----------------------

* ADA Compliant

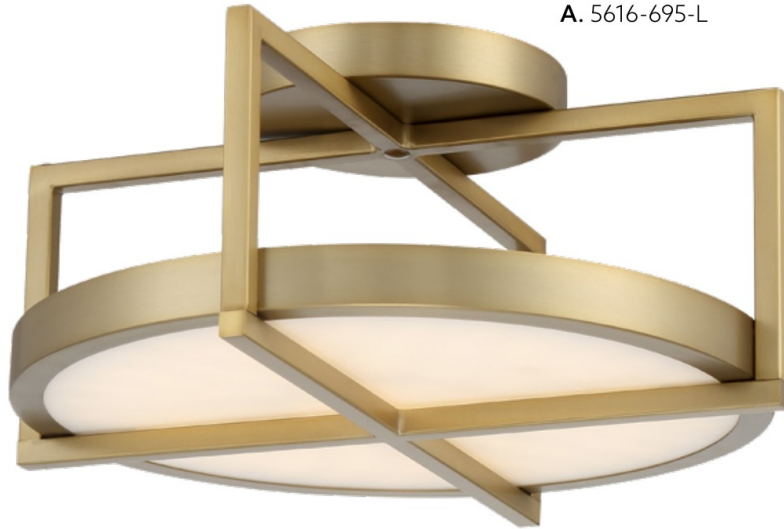


SPECIFICATIONS

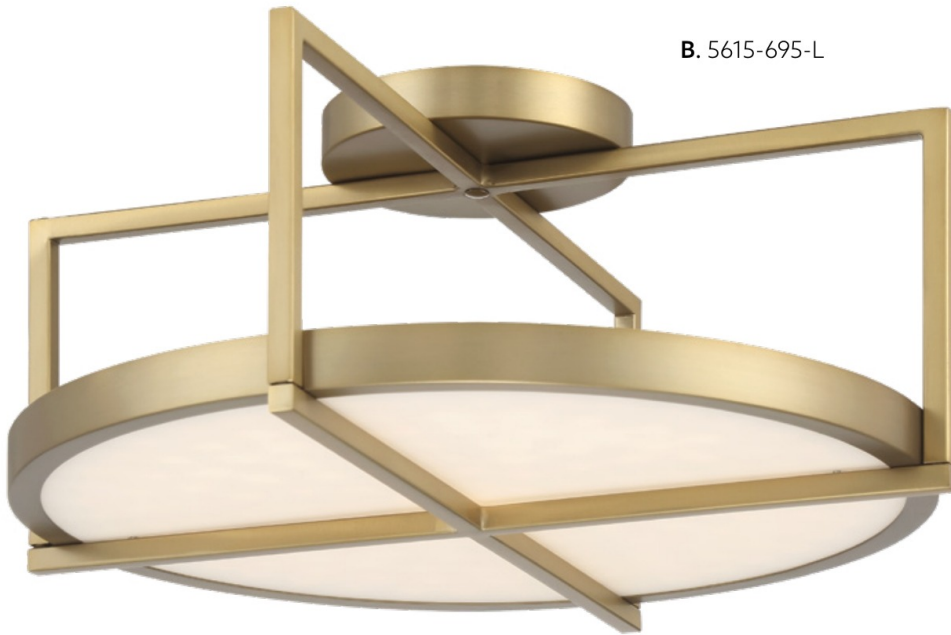
821-695-L*	LED Wall Sconce	6½"W x 6½"H x 4"Ext.	10W LED	White Faux Alabaster	Soft Brass Finish
------------	-----------------	----------------------	---------	-------------------------	----------------------

* ADA Compliant

A. 5616-695-L



B. 5615-695-L



SPECIFICATIONS

A. 5616-695-L	LED Semi Flush	14" Dia. x 6½"H	15W LED	White Faux Alabaster	Soft Brass Finish
B. 5615-695-L		18" Dia. x 8"H	20W LED		



SPECIFICATIONS

1701-781	3 Light Semi Flush	18¾" Dia. x 10"H	3/60W Medium Base	Frosted Opal Glass	Sand Coal and Soft Brass Finish
----------	--------------------	------------------	-------------------	--------------------	---------------------------------

Sparren



A. 2001-77-L



B. 2002-77-L



C. 2003-77-L



D. 2004-77-L

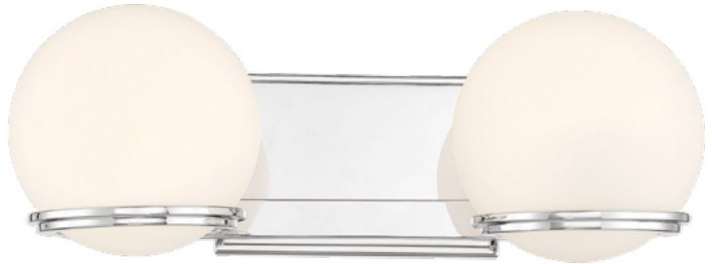
SPECIFICATIONS

A. 2001-77-L	LED Bath Vanity	7½"W x 4½"H x 4½"Ext.	1/8W LED	Clear Pressed Glass	Chrome Finish
B. 2002-77-L		16¾"W x 4½"H x 4½"Ext.	2/8W LED		
C. 2003-77-L		26"W x 4½"H x 4½"Ext.	3/8W LED		
D. 2004-77-L		35¼"W x 4½"H x 4½"Ext.	4/8W LED		

Hollywood Nights



A. 2841-77-L



B. 2842-77-L



C. 2843-77-L



D. 2844-77-L

SPECIFICATIONS

A. 2841-77-L	LED Bath Vanity	5¾"W x 7¼"H x 7½"Ext.	1/8W LED	Etched Opal Glass	Chrome Finish
B. 2842-77-L		16"W x 5¾"H x 7½"Ext.	2/8W LED		
C. 2843-77-L		23¾"W x 5¾"H x 7½"Ext.	3/8W LED		
D. 2844-77-L		32"W x 5¾"H x 7½"Ext.	4/8W LED		



A. 4102-84



B. 4108-84

See Current Vantage Catalog for
the Full Parsons Studio Family

SPECIFICATIONS

A. 4102-84	1 Light Pendant	10" Dia. x 6¾"H	1/100W Medium Base	Etched Inner / Clear Outer Shade	Brushed Nickel Finish
B. 4108-84	3 Light Island	38"L x 10"W x 15"H	3/100W Medium Base		



A. 4102-66



B. 4108-66

See Current Vantage Catalog for
the Full Parsons Studio Family

SPECIFICATIONS

A. 4102-66	1 Light Pendant	10" Dia. x 6¾"H	1/100W Medium Base	Etched Inner / Clear Outer Shade	Sand Coal Finish
B. 4108-66	3 Light Island	38"L x 10"W x 15"H	3/100W Medium Base		

Muncie



A. 5035-66A



B. 5036-66A



C. 5032-66A



D. 5037-66A

SPECIFICATIONS

A. 5035-66A	5 Light Chandelier	24½" Dia. x 23"H	5/60W Candelabra Base	Coal Finish
B. 5036-66A	3 Light Chandelier	18¼" Dia. x 15"H	3/60W Candelabra Base	
C. 5032-66A*	2 Light Wall Sconce	8"W x 8½"H x 3¾" Ext.	2/60W Candelabra Base	
D. 5037-66A	4 Light Island	36"L x 4¾"W x 26¼"H	4/60W Candelabra Base	

*ADA Compliant

LED Flush Mounts



A. (7") 749-2-44-L (*Shown*)
B. (11") 759-2-44-L
C. (13") 769-2-44-L



D. (7") 749-2-84-L (*Shown*)
E. (11") 759-2-84-L
F. (13") 769-2-84-L

**AVAILABLE IN
 THREE
 SIZES**



G. (7") 749-2-66A-L (*Shown*)
H. (11") 759-2-66A-L
I. (13") 769-2-66A-L

SPECIFICATIONS

A. 749-2-44-L	LED Flush Mount	7" Dia. x 1¾"H	16W LED 1162 Lumens 94 CRI 3000K	Milky White Acrylic & Clear Acrylic	White Finish
B. 759-2-44-L		11" Dia. x 1¾"H	22W LED 1651 Lumens 94 CRI 3000K		
C. 769-2-44-L		13" Dia. x 1¾"H	27W LED 2419 Lumens 94 CRI 3000K		
D. 749-2-84-L		7" Dia. x 1¾"H	16W LED 1122 Lumens 94 CRI 3000K		Brushed Nickel Finish
E. 759-2-84-L		11" Dia. x 1¾"H	22W LED 1593 Lumens 94 CRI 3000K		
F. 769-2-84-L		13" Dia. x 1¾"H	27W LED 2390 Lumens 94 CRI 3000K		
G. 749-2-66A-L		7" Dia. x 1¾"H	16W LED 1100 Lumens 94 CRI 3000K		Coal Finish
H. 759-2-66A-L		11" Dia. x 1¾"H	22W LED 1569 Lumens 94 CRI 3000K		
I. 769-2-66A-L		13" Dia. x 1¾"H	27W LED 2356 Lumens 94 CRI 3000K		

Vantage Pendants



A. 6201-44



B. 6202-44



C. 6203-44



D. 6201-84



E. 6202-84



F. 6203-84



G. 6201-66A



H. 6202-66A



I. 6203-66A

SPECIFICATIONS

A. 6201-44	1 Light Pendant	10"Dia. x 11"H	1/60W Medium Base	Metal Shade	White Finish
B. 6202-44		11"Dia. x 12"H			
C. 6203-44		15½"Dia. x 10¼"H			
D. 6201-84		10"Dia. x 11"H			Brushed Nickel Finish
E. 6202-84		11"Dia. x 12"H			
F. 6203-84		15½"Dia. x 10¼"H			
G. 6201-66A		10"Dia. x 11"H			Coal Finish
H. 6202-66A		11"Dia. x 12"H			
I. 6203-66A		15½"Dia. x 10¼"H			

Vantage Vanity



A. 2011-84-L



B. 2012-84-L



C. 2011-66A-L



D. 2012-66A-L

SPECIFICATIONS

A. 2011-84-L	LED Vanity	24"W x 5"H x 4"Ext.	28W LED 2400 Lumens	White Acrylic	Brushed Nickel Finish
B. 2012-84-L		32"W x 5"W x 4"Ext.	36W LED 3240 Lumens		
C. 2011-66A-L		24"W x 5"H x 4"Ext.	28W LED 2400 Lumens		Coal Finish
D. 2011-84-L		32"W x 5"W x 4"Ext.	36W LED 3240 Lumens		

Vantage Vanity

CCT
COLOR CHANGING TECHNOLOGY

Adjust Between 5
Light Colors with
Integrated Switch

WARM WHITE (2700K)

SOFT WHITE (3000K)

NEUTRAL WHITE (3500K)

BRIGHT WHITE (4000K)

DAYLIGHT (5000K)



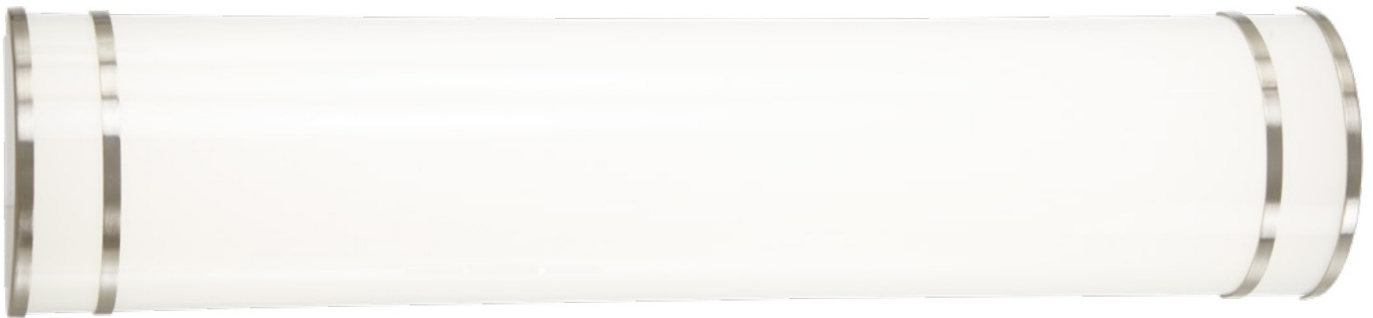
A. 6414-84-L

**AVAILABLE IN
THREE
LENGTHS**

B. (24") 6411-84-L

C. (36") 6412-84-L

D. (48") 6413-84-L



SPECIFICATIONS

A. 6414-84-L	LED Wall Sconce	9¼"W x 10¼" x 3¾" Ext.	20W LED 1722 Lumens 90CRI	White Acrylic	Brushed Nickel Finish
B. 6411-84-L	LED Bath Vanity	24"W x 5½"H x 3½" Ext.	28W LED 2487 Lumens 90CRI		
C. 6412-84-L		36"W x 5½"H x 3½" Ext.	38W LED 3708 Lumens 90CRI		
D. 6413-84-L		48"W x 5½"H x 3½" Ext.	50W LED 5058 Lumens 90CRI		

All Fixtures are ADA Compliant

Wattage, Lumen Output, and CRI are dependent on Finish and Color Temperature settings.
Please reference the specification sheet for all values.



A. 6414-66A-L

**AVAILABLE IN
THREE
LENGTHS** | **B.** (24") 6411-66A-L
C. (36") 6412-66A-L
D. (48") 6413-66A-L



SPECIFICATIONS

A. 6414-66A-L	LED Wall Sconce	9¼"W x 10¼"H x 3¾"Ext.	20W LED 1717 Lumens 90CRI	White Acrylic	Coal Finish
B. 6411-66A-L	LED Bath Vanity	24"W x 5½"H x 3½"Ext.	28W LED 2400 Lumens 90CRI		
C. 6412-66A-L		36"W x 5½"H x 3½"Ext.	38W LED 3700 Lumens 90CRI		
D. 6413-66A-L		48"W x 5½"H x 3½"Ext.	50W LED 5053 Lumens 90CRI		

All Fixtures are ADA Compliant

Wattage, Lumen Output, and CRI are dependent on Finish and Color Temperature settings.
Please reference the specification sheet for all values.

KNOLL ROAD

Finish:
Coal

Glass:
Clear

- Features:**
- » Cast Aluminum Construction
 - » Metal Candle Sleeves
 - » Includes both Coal & White Candle Sleeves



CAST ALUMINUM
CONSTRUCTION

■ 73332-66A



■ 73331-66A



■ 73330-66A

Includes both Coal & White Candle Sleeves

Item No.	Type	Size	Lamp Type
73330-66A	Wall Mount	6"W x 23"H x 6.5"Ext.	2-60W Candelabra Base
73331-66A		7.25"W x 27.25"H x 7.5"Ext.	4-60W Candelabra Base
73332-66A		9.25"W x 35"H x 8.5"Ext.	



Finish:
Sand Coal

Shade:
Clear Seeded

Features:
» Cast Aluminum
Construction



■ 73310-66



■ 73312-66



■ 73311-66

Item No.	Type	Size	Lamp Type
73310-66	1 Light Wall Mount	10"W x 11.5"H x 11.25"Ext.	1-100W Medium Base
73311-66		12"W x 11.5"H x 13.25"Ext.	
73312-66	1 Light Semi Flush	12"W x 9.5"H x 13.25"Ext.	



CAST ALUMINUM
CONSTRUCTION



Finish:
Coal

Shade:
Etched White Glass

Features:
» Cast Aluminum Construction



■ 73320-66A



■ 73321-66A

Item No.	Type	Size	Lamp Type
73320-66A	1 Light Wall Mount	12"W x 10.5"H x 13.5"Ext.	1-60W Candelabra Base
73321-66A		16"W x 10.5"H x 17.5"Ext.	

**CAST ALUMINUM
CONSTRUCTION**

Finish:
Sand Coal

Glass:
Clear Seeded

Features:
» Cast Aluminum
Construction



■ 72383-66-L

CAST ALUMINUM
CONSTRUCTION



■ 72382-66-L



■ 72381-66-L

Item No.	Type	Size	Lamp Type
72381-66-L	LED Wall Mount	4.75"W x 13"H x 4.25"Ext.	6W LED 103 Lumens
72382-66-L		7"W x 15.75"H x 4.25"Ext.	10W LED 181 Lumens
72383-66-L		9"W x 20"H x 4.25"Ext.	10W LED 215 Lumens

Finish:

Sand Coal Finish

Glass:

Clear Glass



■ 72134-66

ALUMINUM
CONSTRUCTION



■ 72137-66



■ 72135-66

Item No.	Type	Size	Lamp Type
72134-66	Wall Mount	19"W x 26.5"H x 21.5"Ext.	4-60W Candelabra Base
72135-66	Chain Hung	19"Sq. x 26.5"H	
72137-66	Post Mount	16"Sq. x 24.75"H	

Finish:

Sand Coal Finish

Glass:

Clear Glass



June 2022 Release

■ 72133-66

ALUMINUM
CONSTRUCTION



June 2022 Release

■ 72131-66



June 2022 Release

■ 72132-66

Item No.	Type	Size	Lamp Type
72131-66	Wall Mount	10"W x 14.75"H x 12"Ext.	1-60W Candelabra Base
72132-66		13"W x 18.25"H x 15"Ext.	3-60W Candelabra Base
72133-66		16"W x 22.25"H x 18"Ext.	4-60W Candelabra Base

MINKA-LAVERY®

World Headquarters

1151 West Bradford Court
Corona, California 92882

Showroom

Dallas Market Center
2100 Stemmons, Suite 4103
Dallas, Texas 75207

Toll: 800.221.7977 • 951.735.9220 • Fax: 951.735.9758
sales@minkagroup.net • minka.com

ML2023-02